



Wheel Horse<sup>®</sup>  
**48" Cutting Unit**

Model No. 78363-8900001 & Up

Model No. 78448-8900001 & Up

Model No. 78364-8900001 & Up

---

**Parts Catalog**

## ORDERING REPLACEMENT PARTS

To order replacement parts, please supply: the part number, the quantity, and the description of each part desired.

## Contents

Description	Page	Description	Page
Reinforcement Plate Assembly .....	1	Baffle Assembly .....	6
Reinforcement Plate Assembly (continued) .....	2	Decal Assembly .....	7
Spindle and Blade Assembly .....	3		
Deck Suspension Assembly .....	4		
Pulley Box Assembly .....	5	<b>Note:</b>	

## Accessories

Description	Model / Parts No.	Description	Model / Parts No.
..			

## Part Description Abbreviations

Part descriptions in this catalog may include the following abbreviations.

Abbreviation	Meaning	Abbreviation	Meaning
AR .....	as required	HWHTF .....	hex washer head thread forming
ASM .....	assembly	INC .....	incorporated
CARR .....	carriage	LH .....	left hand
DEG .....	degrees	PH .....	pan head
FH .....	flat head	PPH .....	Phillips pan head
GA .....	gauge	PTO .....	power take off
HF .....	hex flange	RH .....	right hand
HFV .....	hex flange washer	SFH .....	slotted fillister head
HH .....	hex head	SH .....	square head
HHF .....	hex head flange	SHWH .....	slotted hex washer head
HHST .....	hex head self tapping	SPH .....	slotted pan head
HJ .....	hex jam	STD .....	standard
HOC .....	height-of-cut	TAP .....	self tapping
HS .....	hex socket	TH .....	truss head
HSBH .....	hex socket button head	TTH .....	Torx truss head
HSFH .....	hex socket flat head	WH .....	wing head
HSH .....	hex socket head		
HWH .....	hex washer head		

## Important Format Explanations

This catalog uses special formats to convey information in illustrations and parts lists. Specifically, one format is used in conjunction with service assemblies and another with quantities associated with reference numbers.

## Service Assemblies

Parts within service assemblies have reference numbers in the form  $X:Y$ .  $X$  is the reference number of the service assembly and  $Y$  is a sequential number unique to each part within the service assembly.

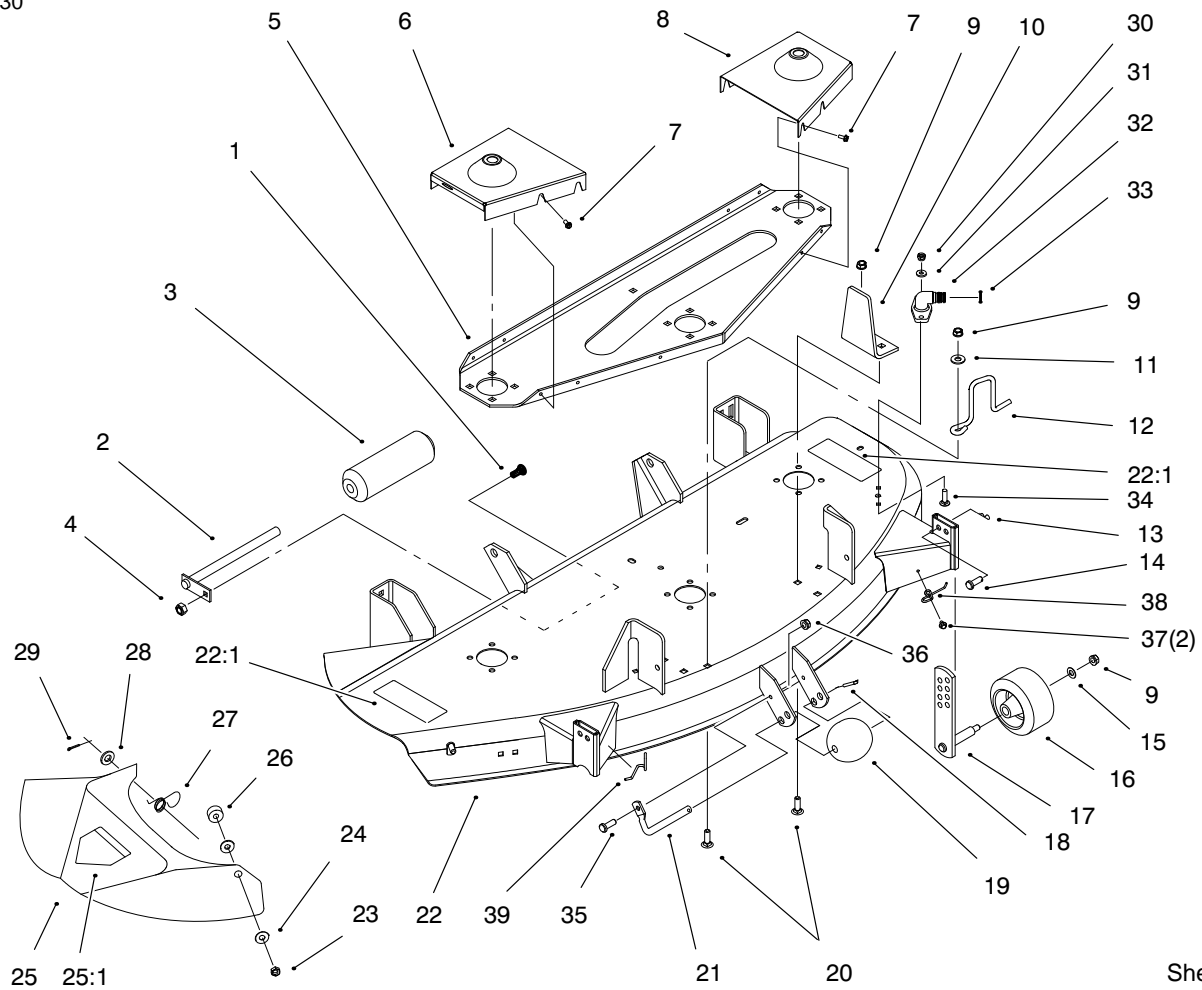
For example, a wheel assembly might be identified by reference number 6, the tire by 6:1, the valve by 6:2, and the wheel by 6:3. When you order the assembly identified by reference number 6, you receive all parts identified by reference numbers 6:1, 6:2, and 6:3. However, you may also order any part individually.

Reference numbers of this type appear in part lists and as callouts in illustrations.

## Reference Numbers with Quantities

Illustrations may have a quantity in parentheses next to a reference number, in the form  $X (Y)$ .  $X$  is the reference number.  $Y$  in parentheses is the quantity of the part identified by the reference number.

For example, the illustration callout 4 (2) indicates that two parts are used in that instance.



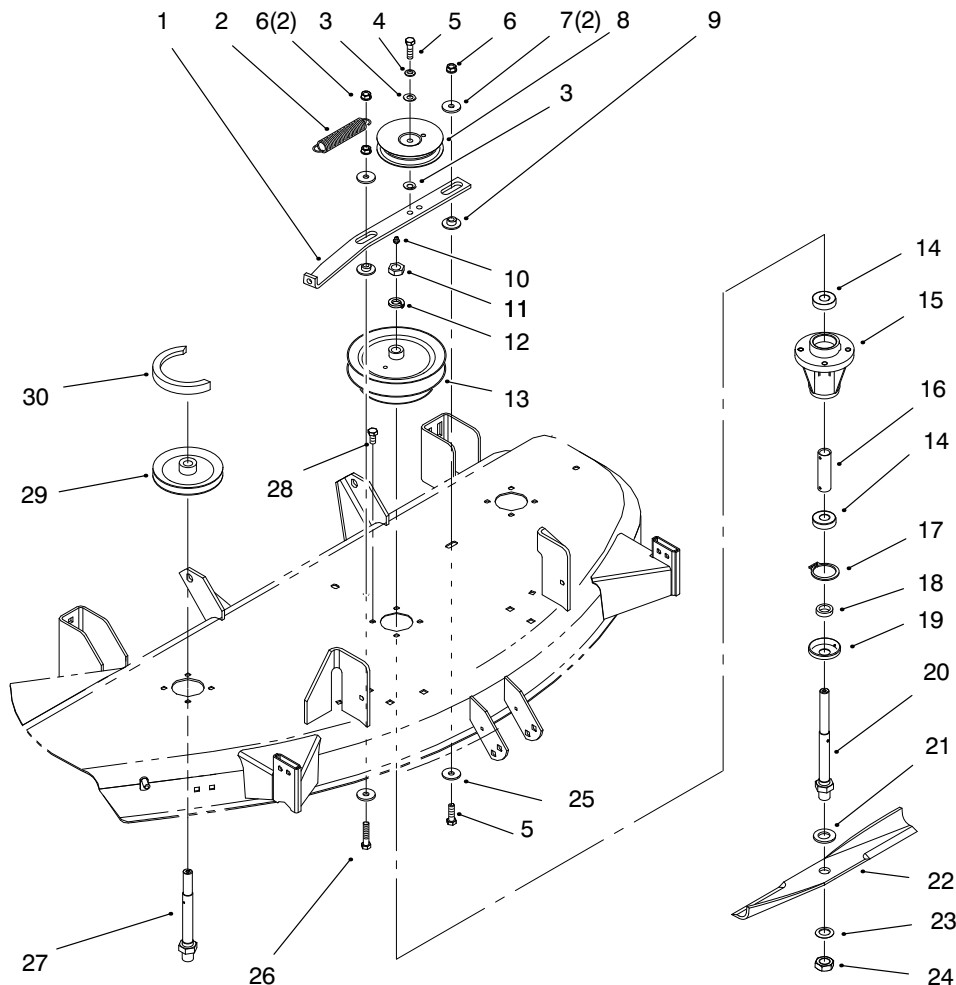
Sheet No.:2

## Reinforcement Plate Assembly

Ref. No.	Part No.	Qty.	Description
1	3230-1	1	Bolt-CARR
2	113603	1	Shaft-Roller
3	113349	1	Roller-Anti Scalp
4	3296-29	1	Nut-Lock
5	95-3879-01	1	Plate-Reinforcement
6	95-3949-01	1	Cover-Belt RH
7	46-8560	8	Screw-HHF
8	95-3950-01	1	Cover-Belt LH
9	3296-39	7	Nut-Lock
10	94-7642-01	2	Bracket-Guide
11	3256-41	1	Washer-Flat
12	95-3953	1	Guide-Belt
13	9335054	2	Hairpin
14	283-2	2	Pin-Clevis
15	3256-24	2	Washer-Flat
16	68-2730	2	Wheel-Gage
17	68-2350	2	Plate-Gage Wheel
18	3272-21	1	Pin-Cotter
19	29-4820	1	Roller
20	3231-25	5	Screw-CARR
21	118960	1	Shaft-Roller
22	98-5090	1	Deck ASM (Only On: 78363, 78364)
22	98-5091	1	Deck ASM (Only On: 78448)

Ref. No.	Part No.	Qty.	Description
22:1	92-7108	2	Decal-Danger (Only On: 78363, 78364)
22:1	93-7317	2	Decal-Danger (Only On: 78448)
23	9152366	1	Nut-Jam Lock
24	93-1633	2	Washer-Nylon
25	88-2750-01	1	Deflector ASM (Only On: 78363, 78364)
25	94-1836-01	1	Deflector ASM (Only On: 78448)
25:1	93-1122	1	Decal-Danger (Only On: 78363, 78364)
25:1	93-7316	1	Decal-Danger (Only On: 78448)
26	116080	1	Bushing-Pivot
27	93-1630	1	Spring-Deflector
28	3256-26	1	Washer-Flat
29	3272-10	1	Pin-Cotter
30	3296-16	2	Nut-Lock (Only On: 78448)
31	3256-1	2	Washer-Flat (Only On: 78448)
32	95-2747	1	Fitting-Washout (Only On: 78448)
33	46-6290	1	O-Ring (Only On: 78448)



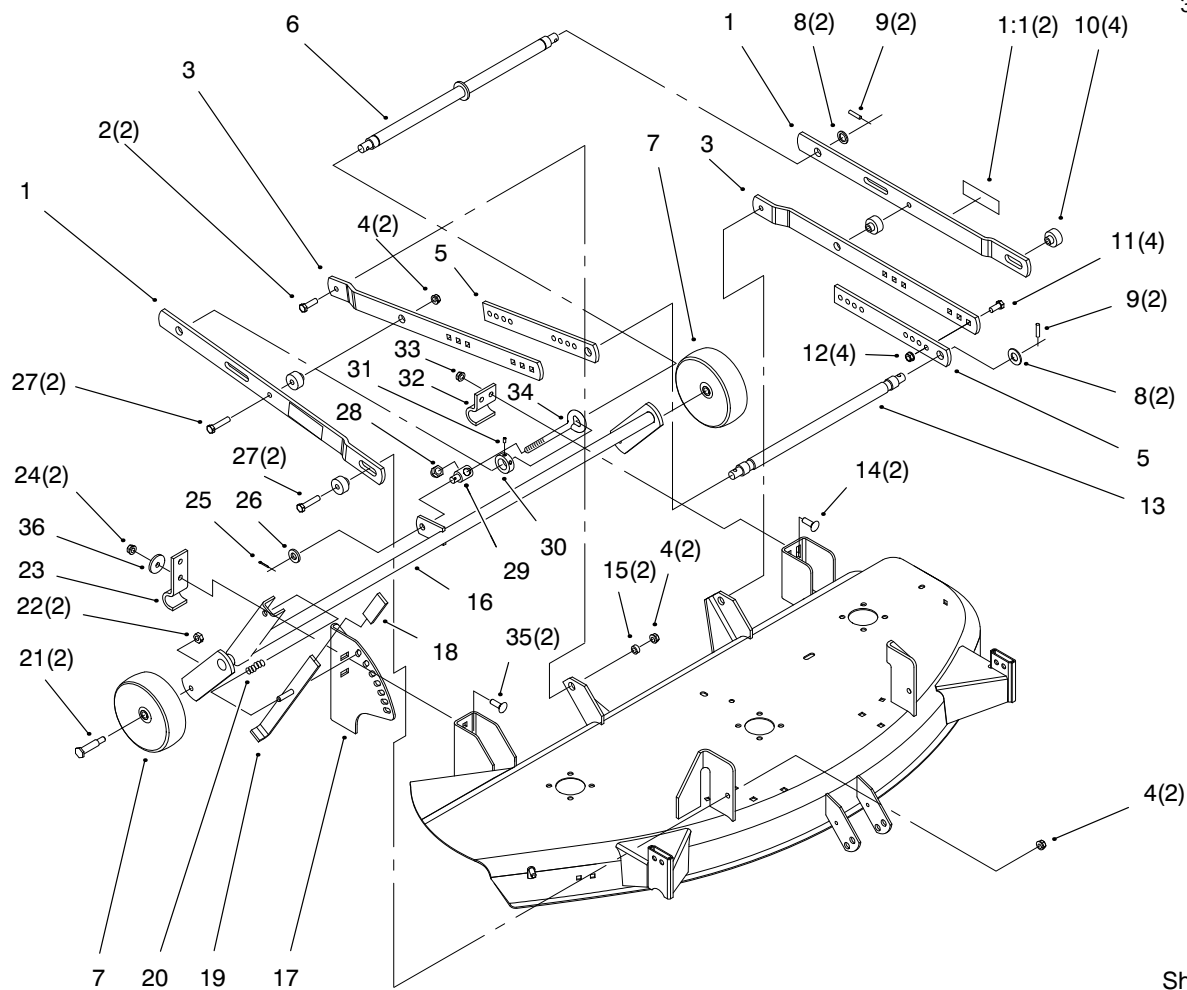


Sheet No.:3

### Spindle and Blade Assembly

Ref. No.	Part No.	Qty.	Description
1	95-3876	1	Bar-Support Idler
2	100071	1	Spring-Extention
3	3256-24	2	Washer-Flat
4	3253-21	1	Washer-Lock
5	323-7	2	Screw-HH
6	3296-39	3	Nut-Lock
7	107675	2	Washer-Rubber
8	93-1622	1	Pulley-Idler
9	107674	2	Spacer-Bushing
10	302-5	3	Fitting-Grease
11	3220-6	3	Nut-Jam
12	3253-8	3	Washer-Lock
13	95-3958	1	Pulley-Double
14	109966	6	Bearing-Ball
15	114568	3	Housing-Spindle
16	116085	3	Tube
17	32120-42	3	Ring-Int. Ret.
18	106068	3	Spacer
19	106067	3	Cup-Spindle
20	78-6710	1	Shaft-Spindle
21	3256-28	3	Washer-Flat
22	106078	3	Blade-16" (Only On: 78363, 78448)
22	94-9719	3	Blade-16" (Only On: 78364)
23	9202574	3	Washer-Flat

Ref. No.	Part No.	Qty.	Description
24	3220-7	3	Nut-Jam
25	2844	2	Washer-Flat
26	323-9	1	Screw-HH
27	112674	2	Shaft-Spindle
28	9080326	12	Screw-HH
29	110146	2	Pulley-Drive
30	95-3878	1	Belt-V



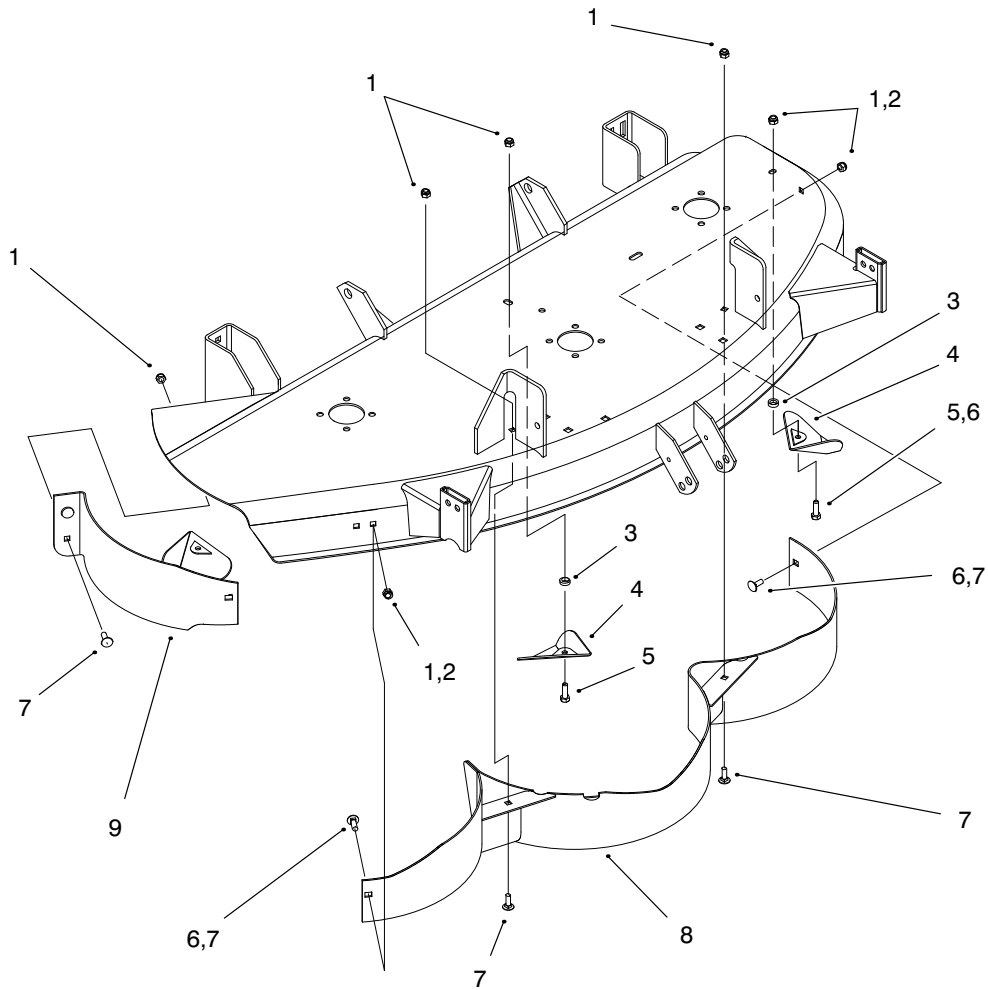
Sheet No.:4

## Deck Suspension Assembly

Ref. No.	Part No.	Qty.	Description
1	98-5041	1	Leveler ASM LH (Only On: 78363, 78364)
1	98-5042	1	Leveler ASM LH (Only On: 78448)
1	98-5043	1	Leveler ASM RH (Only On: 78363, 78364)
1	98-5044	1	Leveler ASM RH (Only On: 78448)
1:1	93-9367	1	Decal-Warning (Only On: 78448)
1:1	98-3478	1	Decal-Warning (Only On: 78363)
2	323-7	2	Screw-HH
3	94-7801-01	2	Draftbar
4	102809	6	Nut-Hex Lock
5	94-7804-01	2	Bar-Draftbar Adj.
6	94-7943-01	1	Leveler Shaft ASM
7	95-4102	2	Wheel
8	3256-69	4	Washer-Flat
9	933216	4	Pin
10	115706	4	Spacer
11	3231-38	4	Screw-CARR
12	32152-2	4	Nut-Lock HH
13	94-2130-01	1	Shaft-Draftbar
14	3231-2	2	Screw-CARR
15	114127	2	Spacer

Ref. No.	Part No.	Qty.	Description
16	95-3875-01	1	Wheel Support ASM
17	94-7544-01	1	Quadrant
18	102597	1	Grip
19	94-7965-01	1	HOC Lever ASM
20	101853	1	Spring-Compression
21	92-1057	2	Bolt-Shoulder
22	32146-2	2	Nut-Hex Lock
23	110837-03	1	Bracket-Pivot
24	3296-39	2	Nut-Lock
25	3272-12	1	Pin-Cotter
26	3256-26	1	Washer-Flat
27	323-9	4	Screw-HH
28	3296-23	1	Nut-Lock
29	94-7802	1	Trunnion
30	94-7953	1	Collar
31	3245-2	2	Screw-Set
32	94-7543-03	1	Clamp
33	32128-40	2	Nut-HFW
34	94-7954	1	Rod-Level Adjustment
35	3231-4	2	Bolt-CARR
36	98-3479	1	Washer-Support



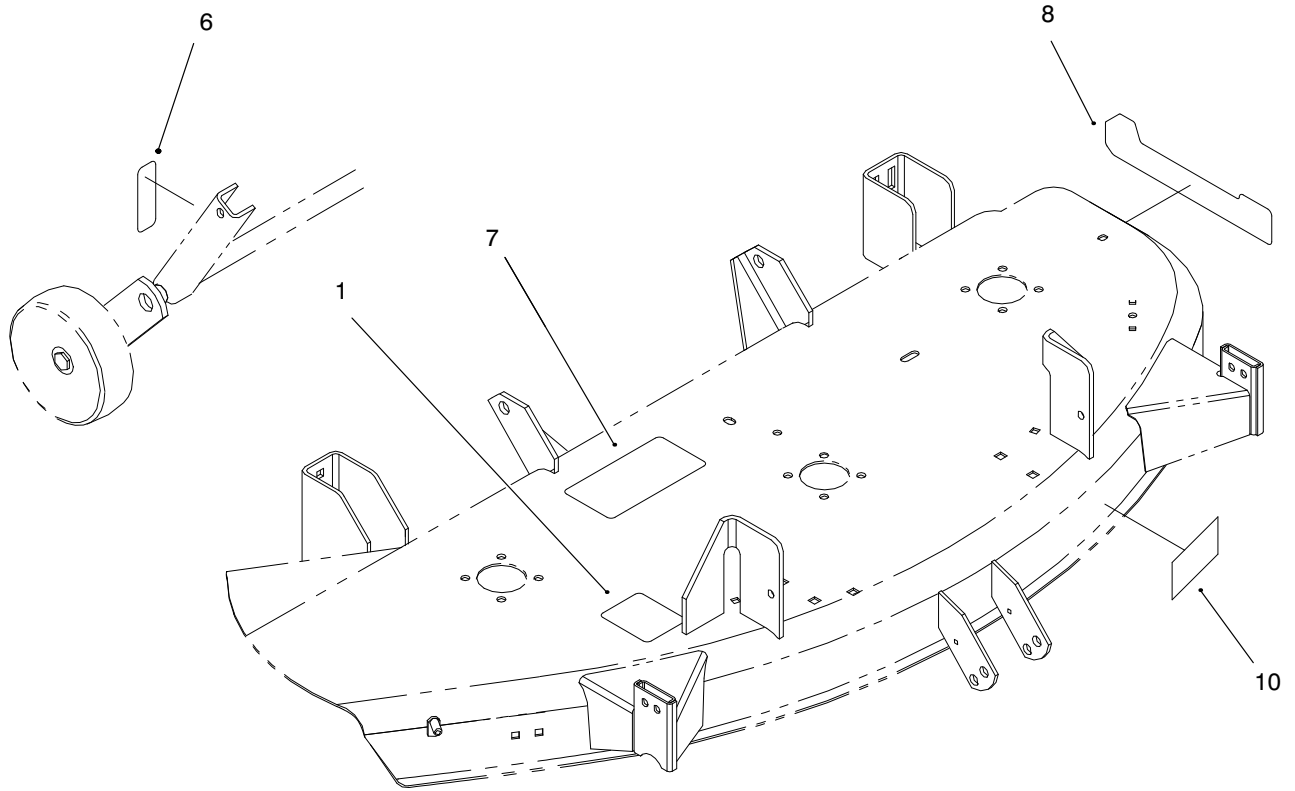


Sheet No.:6

### Baffle Assembly

Ref. No.	Part No.	Qty.	Description
1	3296-29	8	Nut-Lock (Only On: 78364)
2	3296-29	4	Nut-Lock (Only On: 78363, 78448)
3	59-4310	2	Spacer (Only On: 78364)
4	84-5760	2	Plate-Kicker (Only On: 78364)
5	322-5	2	Screw-HH (Only On: 78364)
6	3230-18	4	Screw-CARR (Only On: 78363, 78448)
7	3230-1	6	Bolt-CARR (Only On: 78364)
8	94-9710-03	1	Baffle-Front (Only On: 78364)
9	94-9708-03	1	Baffle-Discharge (Only On: 78364)

Ref. No.	Part No.	Qty.	Description



Sheet No.:7

## Decal Assembly

Ref. No.	Part No.	Qty.	Description
1	98-3481	1	Decal-PTO Belt Routing
6	111655	1	Decal-Height Of Cut (Only On: 78363, 78364)
7	98-3480	1	Decal-Belt Routing
8	94-9761	1	Decal-Recycler (Only On: 78364)
10	93-7282	1	Decal-Wheel Adjustment

Ref. No.	Part No.	Qty.	Description

# Toro Part Number Index

Part No.	Page No.	Ref. No.	Qty.	Description
2844	3	25	2	Washer-Flat
100071	3	2	1	Spring-Extention
101851	5	12	1	Knob-Adjustment
101853	4	20	1	Spring-Compression
102597	4	18	1	Grip
102809	4	4	6	Nut-Hex Lock
106067	3	19	3	Cup-Spindle
106068	3	18	3	Spacer
106078	3	22	3	Blade-16" (Only On: 78363, 78448)
107674	3	9	2	Spacer-Bushing
107675	3	7	2	Washer-Rubber
108571	5	10	1	Washer-Spring
109966	3	14	6	Bearing-Ball
110146	3	29	2	Pulley-Drive
111655	7	6	1	Decal-Height Of Cut (Only On: 78363, 78364)
112674	3	27	2	Shaft-Spindle
113349	1	3	1	Roller-Anti Scalp
113603	1	2	1	Shaft-Roller
114127	4	15	2	Spacer
114568	3	15	3	Housing-Spindle
115706	4	10	4	Spacer
116080	1	26	1	Bushing-Pivot
116085	3	16	3	Tube
118960	1	21	1	Shaft-Roller
933156	5	11	1	Pin-Spirol
933216	4	9	4	Pin
9080326	3	28	12	Screw-HH
9152366	1	23	1	Nut-Jam Lock
9202574	3	23	3	Washer-Flat
9335054	1	13	2	Hairpin
19-1471	5	17	1	Bolt-Shoulder
29-4820	1	19	1	Roller
46-6290	1	33	1	O-Ring (Only On: 78448)
46-8560	1	7	8	Screw-HHF
46-8560	2	37	2	Screw-HHF
59-4310	6	3	2	Spacer (Only On: 78364)
68-2350	1	17	2	Plate-Gage Wheel
68-2730	1	16	2	Wheel-Gage
78-6710	3	20	1	Shaft-Spindle
84-5760	6	4	2	Plate-Kicker (Only On: 78364)
88-2750-01	1	25	1	Deflector ASM (Only On: 78363, 78364)
92-1057	4	21	2	Bolt-Shoulder
92-7108	1	22:1	2	Decal-Danger (Only On: 78363, 78364)
93-1122	1	25:1	1	Decal-Danger (Only On: 78363, 78364)
93-1622	3	8	1	Pulley-Idler
93-1630	1	27	1	Spring-Deflector
93-1633	1	24	2	Washer-Nylon
93-7282	7	10	1	Decal-Wheel Adjustment
93-7316	1	25:1	1	Decal-Danger (Only On: 78448)
93-7317	1	22:1	2	Decal-Danger (Only On: 78448)
93-9367	4	1:1	1	Decal-Warning (Only On: 78448)
94-1836-01	1	25	1	Deflector ASM (Only On: 78448)
94-2130-01	4	13	1	Shaft-Draftbar
94-2284-01	5	3	1	Idler Lever ASM
94-2287-03	5	8	1	Pulley Box ASM
94-2288	5	18	1	Rod-Tension
94-2423	5	5	1	Pivot Rod
94-2447	5	2	2	Pulley-Idler
94-2449	5	7	1	Ferrule-Adjuster
94-2460	5	16	1	Spring-Extension
94-2462-01	5	20	1	Idler Arm ASM
94-7543-03	4	32	1	Clamp

\*Not Illustrated

# Toro Part Number Index (cont.)

Part No.	Page No.	Ref. No.	Qty.	Description
94-7544-01	4	17	1	Quadrant
94-7642-01	1	10	2	Bracket-Guide
94-7764	5	13	1	Idler Tensioner
94-7801-01	4	3	2	Draftbar
94-7802	4	29	1	Trunnion
94-7804-01	4	5	2	Bar-Draftbar Adj.
94-7943-01	4	6	1	Leveler Shaft ASM
94-7953	4	30	1	Collar
94-7954	4	34	1	Rod-Level Adjustment
94-7965-01	4	19	1	HOC Lever ASM
94-9708-03	6	9	1	Baffle-Discharge (Only On: 78364)
94-9710-03	6	8	1	Baffle-Front (Only On: 78364)
94-9719	3	22	3	Blade-16" (Only On: 78364)
94-9761	7	8	1	Decal-Recycler (Only On: 78364)
95-2747	1	32	1	Fitting-Washout (Only On: 78448)
95-3875-01	4	16	1	Wheel Support ASM
95-3876	3	1	1	Bar-Support Idler
95-3878	3	30	1	Belt-V
95-3879-01	1	5	1	Plate-Reinforcement
95-3949-01	1	6	1	Cover-Belt RH
95-3950-01	1	8	1	Cover-Belt LH
95-3953	1	12	1	Guide-Belt
95-3958	3	13	1	Pulley-Double
95-4095	5	21	1	Belt-V
95-4102	4	7	2	Wheel
98-3478	4	1:1	1	Decal-Warning (Only On: 78363)
98-3479	4	36	1	Washer-Support
98-3480	7	7	1	Decal-Belt Routing
98-3481	7	1	1	Decal-PTO Belt Routing
98-5032	2	38	1	Spring-Gage Wheel
98-5033	2	39	1	Spring-Gage Wheel
98-5041	4	1	1	Leveler ASM LH (Only On: 78363, 78364)
98-5042	4	1	1	Leveler ASM LH (Only On: 78448)
98-5043	4	1	1	Leveler ASM RH (Only On: 78363, 78364)
98-5044	4	1	1	Leveler ASM RH (Only On: 78448)
98-5090	1	22	1	Deck ASM (Only On: 78363, 78364)
98-5091	1	22	1	Deck ASM (Only On: 78448)
110837-03	4	23	1	Bracket-Pivot
283-2	1	14	2	Pin-Clevis
302-5	3	10	3	Fitting-Grease
302-5	5	19	2	Fitting-Grease
321-4	2	35	1	Screw-HH
322-5	6	5	2	Screw-HH (Only On: 78364)
323-7	3	5	2	Screw-HH
323-7	4	2	2	Screw-HH
323-9	3	26	1	Screw-HH
323-9	4	27	4	Screw-HH
323-10	5	4	2	Screw-HH
3220-6	3	11	3	Nut-Jam
3220-7	3	24	3	Nut-Jam
3229-1	2	34	2	Bolt-CARR (Only On: 78448)
3230-1	1	1	1	Bolt-CARR
3230-1	6	7	6	Bolt-CARR (Only On: 78364)
3230-18	6	6	4	Screw-CARR (Only On: 78363, 78448)
3231-2	4	14	2	Screw-CARR
3231-4	4	35	2	Bolt-CARR
3231-25	1	20	5	Screw-CARR
3231-38	4	11	4	Screw-CARR
3245-2	4	31	2	Screw-Set
3253-8	3	12	3	Washer-Lock
3253-21	3	4	1	Washer-Lock
3256-1	1	31	2	Washer-Flat (Only On: 78448)

\*Not Illustrated

# Toro Part Number Index (cont.)

Part No.	Page No.	Ref. No.	Qty.	Description
3256-24	1	15	2	Washer-Flat
3256-24	3	3	2	Washer-Flat
3256-24	5	9	1	Washer-Flat
3256-26	1	28	1	Washer-Flat
3256-26	4	26	1	Washer-Flat
3256-28	3	21	3	Washer-Flat
3256-41	1	11	1	Washer-Flat
3256-69	4	8	4	Washer-Flat
3272-10	1	29	1	Pin-Cotter
3272-12	4	25	1	Pin-Cotter
3272-21	1	18	1	Pin-Cotter
3296-16	1	30	2	Nut-Lock (Only On: 78448)
3296-23	4	28	1	Nut-Lock
3296-29	1	4	1	Nut-Lock
3296-29	5	14	1	Nut-Lock
3296-29	6	2	4	Nut-Lock (Only On: 78363, 78448)
3296-29	6	1	8	Nut-Lock (Only On: 78364)
3296-39	1	9	7	Nut-Lock
3296-39	3	6	3	Nut-Lock
3296-39	4	24	2	Nut-Lock
3296-39	5	1	2	Nut-Lock
3296-42	2	36	1	Nut-Lock
32120-42	3	17	3	Ring-Int. Ret.
32128-40	4	33	2	Nut-HFW
32144-70	5	6	1	Screw-TAP
32146-2	4	22	2	Nut-Hex Lock
32152-2	4	12	4	Nut-Lock HH
32152-9	5	15	1	Nut-Lock





