



GUARDIAN®
72" RECYCLER®

30372-80001 & Up

Parts Catalog

ORDERING REPLACEMENT PARTS

To order replacement parts, please supply: the part number, the quantity, and the description of each part desired.

Contents

Description	Page	Description	Page
Gearbox Mount & Drive Shaft Assembly	1	Spindle Assembly	5
Gear Box Assembly No. 93-4872	2	Castor Wheels & Arms Assembly	6
Drive Shaft Assembly No. 93-4790	3	Lift Arm Assembly	7
Idlers, Skids & Rollers Assembly	4	Covers & Chambers Assembly	8

Part Description Abbreviations

Part descriptions in this catalog may include the following abbreviations.

Abbreviation	Meaning	Abbreviation	Meaning
AR	as required	INC	incorporated
ASM	assembly	LH	left hand
CARR	carriage	NI	nylon insert
DEG	degrees	PPH	Phillips pan head
FH	flat head	PTH	Phillips truss head
GA	gauge	PTO	power take off
HF	hex flange	RH	right hand
HH	hex head	SFH	slotted fillister head
HHF	hex head flange	SHH	slotted hex head
HLH	hex lag head	SQH	square head
HJ	hex jam	SHWH	slotted hex washer head
HOC	height-of-cut	SPH	slotted pan head
HS	hex socket	SRH	slotted round head
HSBH	hex socket button head	STD	standard
HSFH	hex socket flat head	STH	slotted truss head
HSH	hex socket head	TTH	Torx truss head
HWH	hex washer head	WH	wing head

Important Format Explanations

This catalog uses special formats to convey information in illustrations and parts lists. Specifically, one format is used in conjunction with service assemblies and another with quantities associated with reference numbers.

Service Assemblies

Parts within service assemblies have reference numbers in the form X:Y. X is the reference number of the service assembly and Y is a sequential number unique to each part within the service assembly.

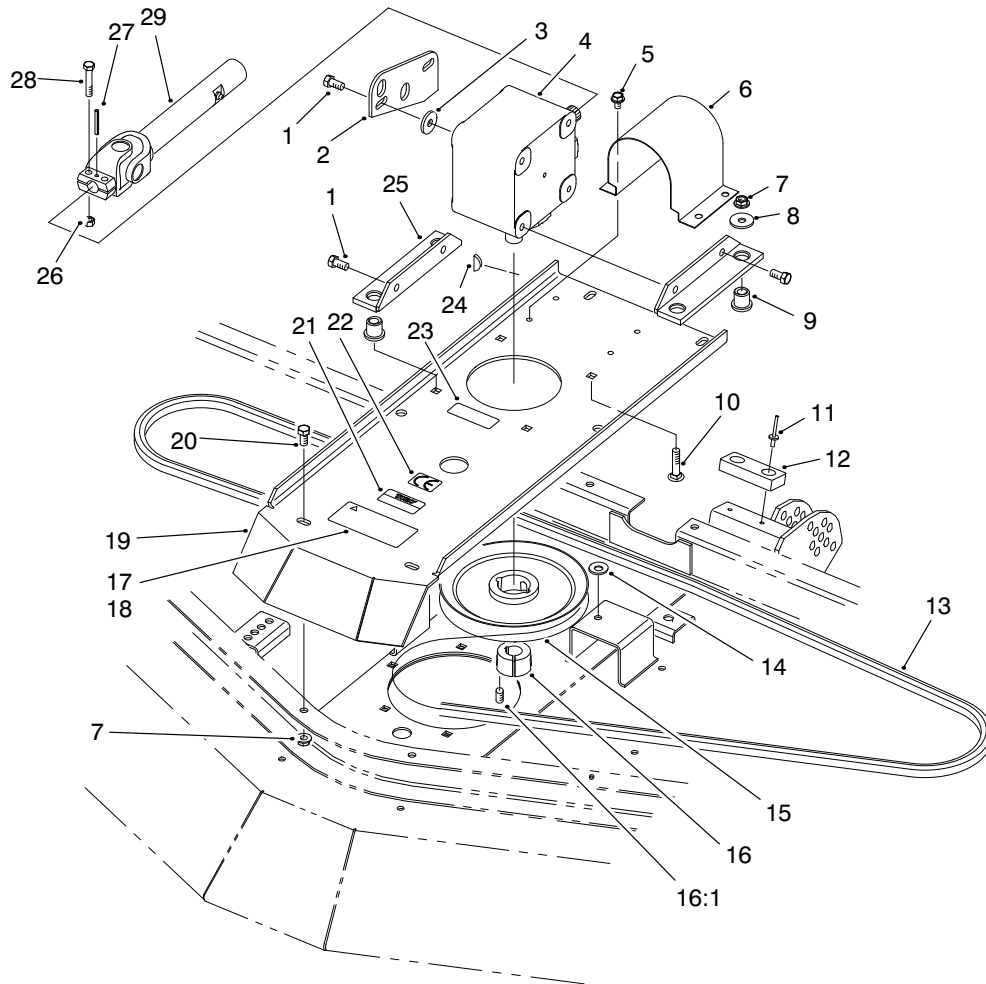
For example, a wheel assembly might be identified by reference number 6, the tire by 6:1, the valve by 6:2, and the wheel by 6:3. When you order the assembly identified by reference number 6, you receive all parts identified by reference numbers 6:1, 6:2, and 6:3. However, you may also order any part individually.

Reference numbers of this type appear in part lists and as callouts in illustrations.

Reference Numbers with Quantities

Illustrations may have a quantity in parentheses next to a reference number, in the form X (Y). X is the reference number. Y in parentheses is the quantity of the part identified by the reference number.

For example, the illustration callout 4 (2) indicates that two parts are used in that instance.



Sheet No.: 2

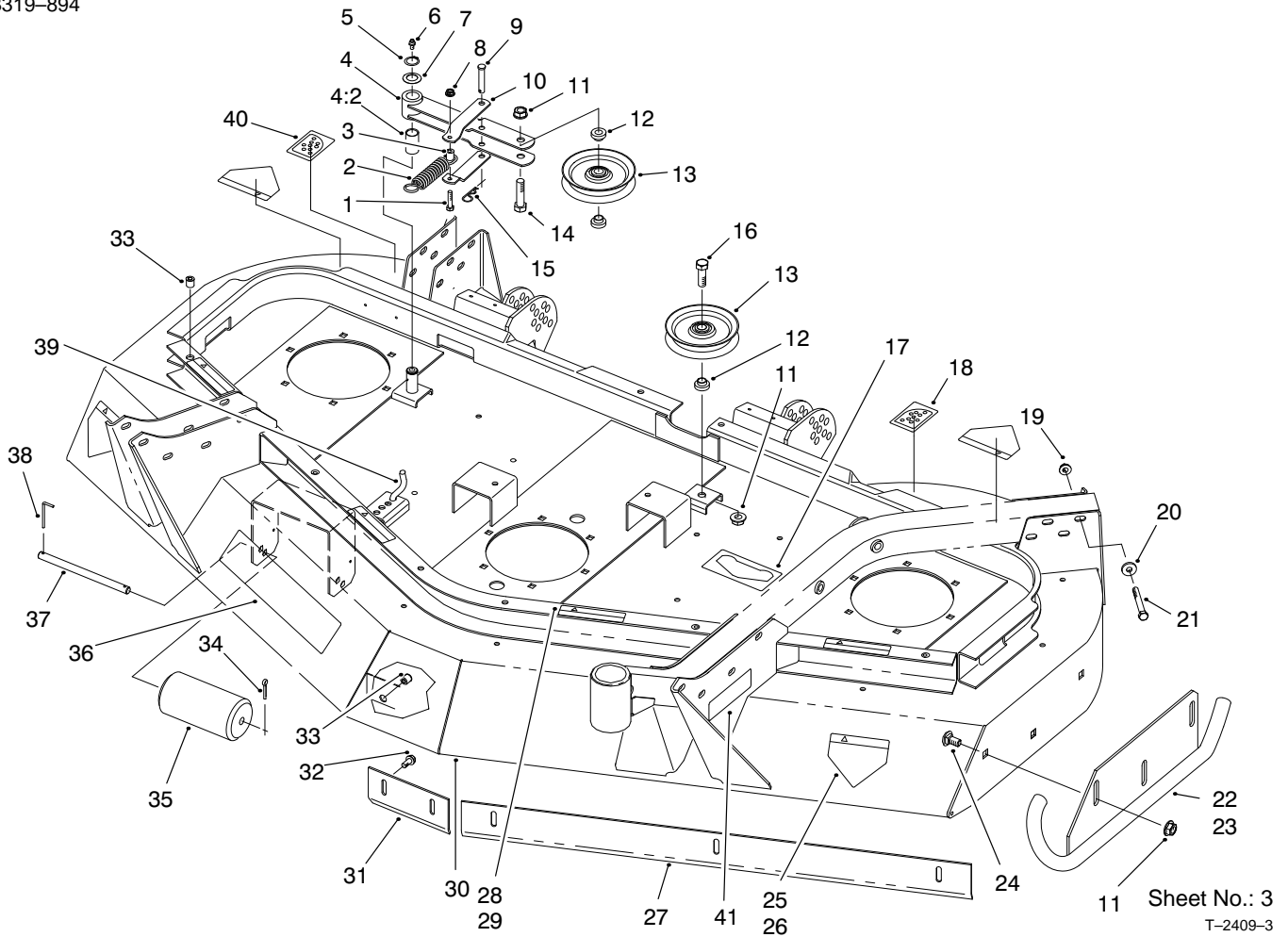
T-2407-3

Gearbox Mount & Drive Shaft Assembly

Ref. No.	Part No.	Qty.	Description	Ref. No.	Part No.	Qty.	Description
1	33105-020	6	Screw-HHF	25	68-8560	2	Gearbox Bracket ASM
2	93-4792	1	Plate-Latch	26	3296-29	2	Nut-Lock
3	93-4637	2	Washer-Flat	27	32121-34	1	Pin-Roll
4	93-4872	1	Gearbox ASM	28	322-9	2	Screw-HH
5	32104-82	4	Screw-HWH	29	93-4790	1	Shaft-Drive
6	93-4930	1	Shield-Universal				
7	32128-21	10	Nut-HF				
8	63-8410	4	Washer-Flat				
9	63-9750	4	Mount-Rubber				
10	3231-26	4	Screw-CARR				
11	3269-11	4	Rivet				
12	86-5350	2	Bumper-Rubber				
13	93-8457	1	Belt-Hex				
14	3256-24	A/R	Washer-Flat				
15	85-5860	1	Gearbox Pulley ASM				
16	23-1640	1	Bushing-Taper Lock				
16:1	3247-4	2	Screw-HS				
†17	68-8340	1	Decal-Torque				
18	93-7818	1	Decal-Blade Bolt Torque				
19	93-4795	1	Gearbox Mount ASM				
20	3234-11	6	Screw-HHF				
☆21		1	Decal-Safety STD				
†22	93-7252	1	Decal-CE Mark				
†23	93-6697	1	Decal-Lube				
24	3257-5	1	Key-Woodruff				

† Included in a service kit or in an assembly

☆ Not serviced

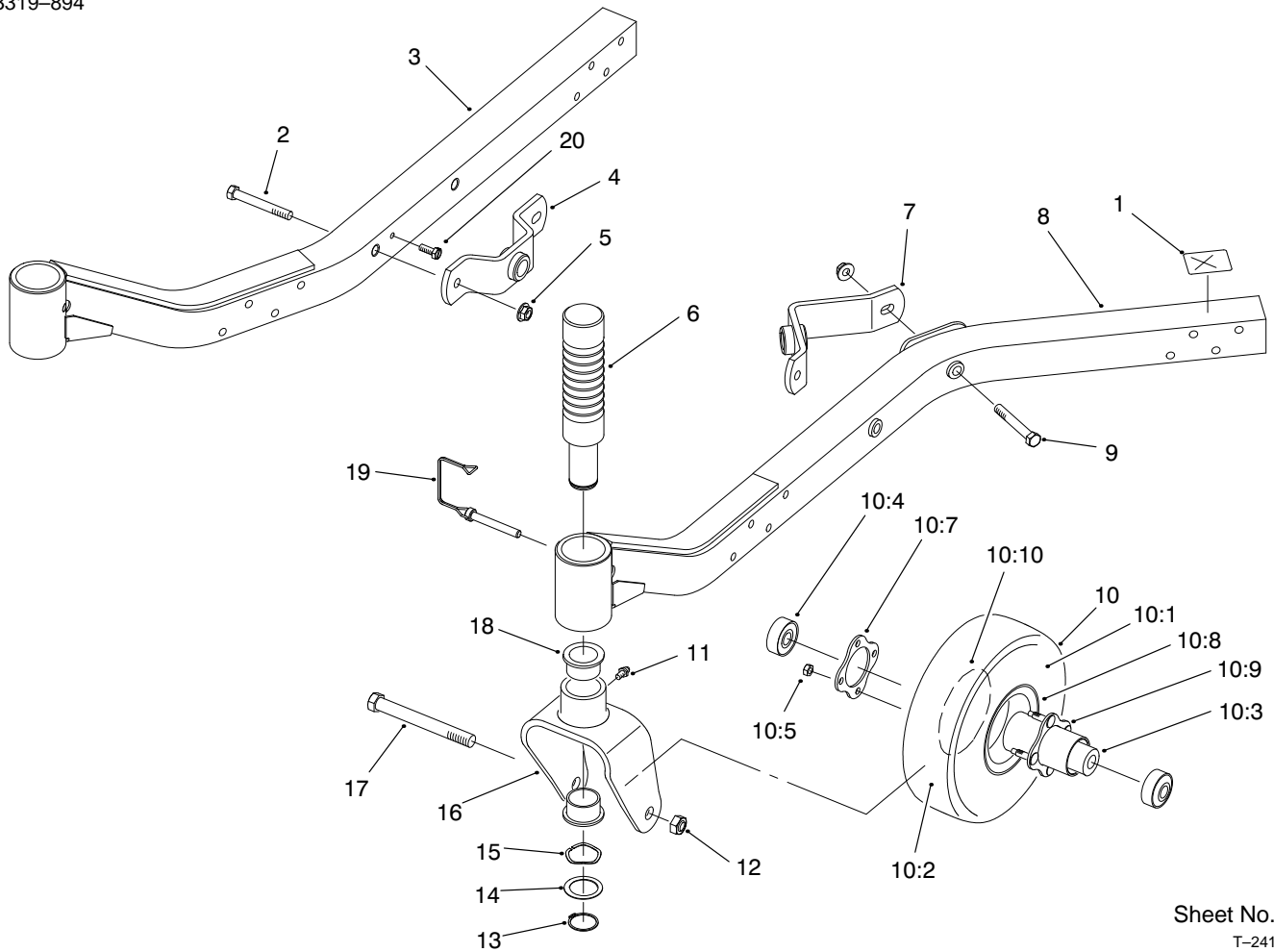


Idlers, Skids & Rollers Assembly

Ref. No.	Part No.	Qty.	Description
1	321-8	1	Screw-HH
2	85-6390	1	Spring-Extension
3	85-5930	1	Tube-Spring Bracket
4	85-5900	1	Idler Arm ASM
4:2	256-188	1	Bushing-Strght
5	32120-72	1	Ring-Retaining
†6	302-2	1	Fitting-Grease
7	3-6498	1	Washer-Thrust
8	32128-32	1	Nut-Hex Flange
9	283-82	1	Pin-Clevis
10	85-5920	2	Bracket-Spring
11	32128-49	8	Nut-Hex Flange
12	69-6960	3	Spacer-Idler
13	63-1540	2	Pulley-Idler
14	325-8	1	Screw-HH
15	3290-467	1	Pin-Cotter
16	325-6	1	Screw-HH
†17	85-6120	1	Decal-Belt Routing
†18	94-3392	1	Decal-RH Rear HOC
19	32128-19	16	Nut-HF
20	5-0838	16	Washer-Flat
21	323-14	16	Screw-HH
22	85-5980	1	LH Skid ASM
23	85-5950	1	RH Skid ASM
24	3233-9	6	Screw-CARR
†25	43-8480	4	Decal-Danger

Ref. No.	Part No.	Qty.	Description
26	93-7815	4	Decal-Danger (Europe)
27	93-4390	2	Baffle-Side
†28	85-6410	4	Decal-Danger
29	93-7814	4	Decal-Warning (Europe)
30	93-4668	1	72" Deck ASM
31	93-4391	1	Baffle-Center
32	3234-5	8	Screw-HHF
†33	32148-7	12	Nut-Insert
34	3272-11	3	Pin-Cotter
35	36-1740	3	Roller-Deck
†36	85-6430	1	Decal-Guardian
37	40-6400	3	Shaft-Roller
38	57-0690	3	Pin-Cotter
39	85-5940	1	Rod-Spring
†40	93-4691	1	Decal-LH Rear HOC
†41	93-4690	2	Decal-HOC

† Included in a service kit or in an assembly



Sheet No.: 5
T-2411-2

Castor Wheels & Arms Assembly

Ref. No.	Part No.	Qty.	Description
1	93-0299	1	Decal-No Step
2	324-12	3	Screw-HH
3	93-4785	1	Castor Arm ASM-RH
4	93-4781	1	Ball Joint Mount ASM
5	32128-42	4	Nut-Hex Flange
6	93-4582	2	Shaft-Castor
7	93-4783	1	Ball Joint Mount ASM
8	93-4787	1	Castor Arm ASM-LH
9	324-13	1	Screw-HH
10	93-4240	2	Wheel ASM
10:1	93-4243	2	Tire 10"
10:2	93-4244	2	Tube-w/Valve
10:3	93-4241	2	Spacer-Bearing
10:4	93-4237	4	Bearing
10:5	32128-16	8	Nut-HHF
10:7	93-4242	2	Plate
10:8	93-4239	2	Rim-Wheel
10:9	93-5980	2	Hub
10:10	95-2741	2	Rim-Wheel
†11	302-5	2	Fitting-Grease
12	33028-00	2	Nut-Lock NI
13	32120-84	2	Ring-Retaining
14	93-4628	2	Washer
15	93-4632	2	Washer-Wavey
16	93-4824	2	Castor Fork ASM
17	33118-140	2	Screw-HH

Ref. No.	Part No.	Qty.	Description
†18	93-4510	4	Bushing-Castor
19	93-4696	2	Pin-Snapper
20	32104-82	1	Screw-HWH

† Included in a service kit or in an assembly

Toro Part Number Index

Part No.	Page No.	Ref. No.	Qty.	Description
3-6498	4	7	1	Washer-Thrust
5-0838	4	20	16	Washer-Flat
21-3000	7	19	2	Nut-Jam
23-1640	1	16	1	Bushing-Taper Lock
36-1740	4	35	3	Roller-Deck
40-6400	4	37	3	Shaft-Roller
43-8480	4	25	4	Decal-Danger
54-9040	3	6	1	End Yoke
54-9180	3	3	2	U-Joint Kit
57-0690	4	38	3	Pin-Cotter
62-3310	2	2	12	Sems Cap Screw
62-3320	2	3	1	Cap
62-3340	2	5	2	Bearing Cup
62-3410	2	12	1	Cap
62-3420	2	13	A/R	Gasket (.015)
62-3430	2	14	A/R	Gasket (.005)
62-3440	2	15	A/R	Gasket (.003)
62-3490	2	18	2	Pipe Plug (Solid)
62-3820	3	7	2	Fitting-Grease
63-1540	4	13	2	Pulley-Idler
63-8410	1	8	4	Washer-Flat
63-9750	1	9	4	Mount-Rubber
68-8340	1	17	1	Decal-Torque
68-8560	1	25	2	Gearbox Bracket ASM
69-1530	5	8	3	Housing-Spindle
69-6260	8	9	4	Magnet
69-6870	8	6	4	Plate-Magnet
69-6950	5	10	3	Spacer-Spindle Shaft
69-6960	4	12	3	Spacer-Idler
71-2530	5	15	3	Spindle Bearing ASM
72-9361	5	12	3	Anti-Scalp Cup
85-5860	1	15	1	Gearbox Pulley ASM
85-5900	4	4	1	Idler Arm ASM
85-5920	4	10	2	Bracket-Spring
85-5930	4	3	1	Tube-Spring Bracket
85-5940	4	39	1	Rod-Spring
85-5950	4	23	1	RH Skid ASM
85-5980	4	22	1	LH Skid ASM
85-6010	5	14	3	Spindle Shaft ASM
85-6030	5	3	3	Pulley ASM
85-6040	5	11	3	Blade
85-6120	4	17	1	Decal-Belt Routing
85-6390	4	2	1	Spring-Extension
85-6410	4	28	4	Decal-Danger
85-6430	4	36	1	Decal-Guardian
85-6460	8	11	1	LH Chamber ASM
85-6470	8	15	1	RH Chamber ASM
85-6480	8	13	1	Center Chamber ASM
86-5350	1	12	2	Bumper-Rubber
86-8100	7	20	2	Ball Joint
92-0608	2	22	1	Cap
92-0610	2	20	1	Bearing Cone
92-0611	2	21	1	Bearing Cup
92-5816	5	13	3	Screw - Blade
93-0299	6	1	1	Decal-No Step
93-4237	6	10:4	4	Bearing
93-4239	6	10:8	2	Rim-Wheel

*Not Illustrated

Toro Part Number Index (cont.)

Part No.	Page No.	Ref. No.	Qty.	Description
93-4240	6	10	2	Wheel ASM
93-4241	6	10:3	2	Spacer-Bearing
93-4242	6	10:7	2	Plate
93-4243	6	10:1	2	Tire 10"
93-4244	6	10:2	2	Tube-w/Valve
93-4390	4	27	2	Baffle-Side
93-4391	4	31	1	Baffle-Center
93-4510	6	18	4	Bushing-Castor
93-4582	6	6	2	Shaft-Castor
93-4590	7	8	1	RH Arm ASM
93-4591	7	9	1	LH Arm ASM
93-4618	7	5	4	Spacer-Pivot
93-4628	6	14	2	Washer
93-4632	6	15	2	Washer-Wavey
93-4633	3	2	1	Yoke ASM-Auto Lok
93-4634	3	4	1	Shaft-Slip Yoke
93-4637	1	3	2	Washer-Flat
93-4668	4	30	1	72" Deck ASM
93-4675	7	27	4	Plate-Release
93-4676	7	3	2	Shaft-Latch
93-4677	7	24	2	Hub-Release
93-4678	7	26	2	Lever-Release
93-4690	4	41	2	Decal-HOC
93-4691	4	40	1	Decal-LH Rear HOC
93-4696	6	19	2	Pin-Snapper
93-4781	6	4	1	Ball Joint Mount ASM
93-4783	6	7	1	Ball Joint Mount ASM
93-4785	6	3	1	Castor Arm ASM-RH
93-4787	6	8	1	Castor Arm ASM-LH
93-4790	1	29	1	Shaft-Drive
93-4791	3	5	1	Tube-Slip Yoke
93-4792	1	2	1	Plate-Latch
93-4795	1	19	1	Gearbox Mount ASM
93-4797	8	3	1	Cover-LH Center
93-4798	8	2	1	Cover-RH Center
93-4813	2	8	1	Bearing Cone
93-4814	2	7	1	Bearing Cup
93-4815	2	1	1	Housing
93-4818	7	1	2	Spring-Lever
93-4819	7	6	2	Cover-Latch
93-4824	6	16	2	Castor Fork ASM
93-4841	2	17	1	Gear-LH
93-4842	2	6	1	Gear-RH
93-4843	2	9	1	Spacer
93-4852	2	23	1	Washer
93-4853	8	1	1	Cover-RH
93-4854	8	4	1	Cover-LH
93-4872	1	4	1	Gearbox ASM
93-4930	1	6	1	Shield-Universal
93-5980	6	10:9	2	Hub
93-6697	1	23	1	Decal-Lube
93-7252	1	22	1	Decal-Ce Mark
93-7814	4	29	4	Decal-Warning (Europe)
93-7815	4	26	4	Decal-Danger (Europe)
93-7818	1	18	1	Decal-Blade Bolt Torque
93-8457	1	13	1	Belt-Hex
94-3392	4	18	1	Decal-RH Rear HOC

*Not Illustrated

Toro Part Number Index (cont.)

Part No.	Page No.	Ref. No.	Qty.	Description
94-9843	2	11	1	Seal-Upper
94-9844	2	19	1	Seal-Lower
94-9845	2	16	1	Shaft-Upper
94-9846	2	10	1	Shaft-Lower
95-2741	6	10:10	2	Rim-Wheel
95-6231	7	11	2	Chain-HOC
96-1259	7	10	2	U-Bolt
253-154	5	4	6	Seal-Oil
254-94	2	4	2	Cone-Bearing
256-188	4	4:2	1	Bushing-Strght
283-55	7	15	2	Pin-Clevis
283-82	4	9	1	Pin-Clevis
283-88	7	23	2	Pin-Clevis
302-2	4	6	1	Fitting-Grease
302-2	5	1	3	Fitting-Grease
302-5	6	11	2	Fitting-Grease
302-5	7	20:1	2	Fitting-Grease
302-58	3	8	1	Fitting-GreaseR
321-8	4	1	1	Screw-HH
322-3	8	17	1	Screw-HH
322-9	1	28	2	Screw-HH
323-14	4	21	16	Screw-HH
324-12	6	2	3	Screw-HH
324-13	6	9	1	Screw-HH
325-6	4	16	1	Screw-HH
325-8	4	14	1	Screw-HH
3213-24	7	4	2	Screw-HH
3219-3	7	14	4	Nut-Hex
3230-18	8	14	15	Screw-CARR
3230-23	8	12	2	Bolt-CARR
3231-26	1	10	4	Screw-CARR
3231-27	5	6	18	Screw-CARR
3233-9	4	24	6	Screw-CARR
3234-5	4	32	8	Screw-HHF
3234-5	8	16	4	Screw-HHF
3234-11	1	20	6	Screw-HHF
3247-4	1	16:1	2	Screw-HS
3256-24	1	14	A/R	Washer-Flat
3256-24	5	7	A/R	Washer-Flat
3256-24	7	12	8	Washer-Flat
3257-5	1	24	1	Key-Woodruff
3269-11	1	11	4	Rivet
3269-25	8	5	8	Rivet-Pop
3272-11	4	34	3	Pin-Cotter
3272-12	7	21	2	Pin-Cotter
3290-413	7	25	4	Washer-Spring
3290-467	4	15	1	Pin-Cotter
3290-467	7	7	4	Pin-Cotter
3296-2	8	8	8	Nut-Lock NI
3296-6	7	13	4	Nut-Lock
3296-29	1	26	2	Nut-Lock
3296-49	5	2	3	Nut-Lock NI
32104-82	1	5	4	Screw-HWH
32104-82	6	20	1	Screw-HWH
32105-1	8	10	8	Screw-HH
32120-72	4	5	1	Ring-Retaining
32120-84	6	13	2	Ring-Retaining

*Not Illustrated

Toro Part Number Index (cont.)

Part No.	Page No.	Ref. No.	Qty.	Description
32121-34	1	27	1	Pin-Roll
32128-16	6	10:5	8	Nut-HHF
32128-19	4	19	16	Nut-HF
32128-21	1	7	10	Nut-HF
32128-21	5	9	18	Nut-HF
32128-25	8	7	18	Nut-Hex Flange
32128-32	4	8	1	Nut-Hex Flange
32128-42	6	5	4	Nut-Hex Flange
32128-49	4	11	8	Nut-Hex Flange
32136-2	7	20:2	2	Nut-Hex Slotted
32148-7	4	33	12	Nut-Insert
33025-00	7	22	4	Nut-Lock NI
33028-00	6	12	2	Nut-Lock NI
33105-020	1	1	6	Screw-HHF
33115-025	7	2	4	Screw-HH
33118-140	6	17	2	Screw-HH

