



# **53cm Side Discharge Mower**

**Model No. 20711 – 8900001 & Up**

---

# **Parts Catalog**

## ORDERING REPLACEMENT PARTS

To order replacement parts, please supply: the part number, the quantity, and the description of each part desired.

## Contents

Description	Page	Description	Page
Housing Assembly .....	1	Crankshaft Assembly .....	9
Cover Assembly .....	2	Carburetor Assembly .....	10
Gear Case & Wheel Assembly .....	3	Piston & Connecting Rod Assembly .....	11
Engine Assembly .....	4	Crankcase Assembly .....	12
Handle Assembly .....	5	Shroud & Recoil Assembly .....	13
Gear Case Assembly .....	6		
Shroud, Crankcase, & Carburetor Assembly ....	7	<b>Note:</b>	
Muffler & Brake Assembly .....	8		

## Accessories

Description	Model / Parts No.	Description	Model / Parts No.
Rear Discharge Grass Catcher .....	Model No. 59187		

## Part Description Abbreviations

Part descriptions in this catalog may include the following abbreviations.

Abbreviation	Meaning	Abbreviation	Meaning
AR .....	as required	HWHTF .....	hex washer head thread forming
ASM .....	assembly	INC .....	incorporated
CARR .....	carriage	LH .....	left hand
DEG .....	degrees	PH .....	pan head
FH .....	flat head	PPH .....	Phillips pan head
GA .....	gauge	PTO .....	power take off
HF .....	hex flange	RH .....	right hand
HFV .....	hex flange washer	SFH .....	slotted fillister head
HH .....	hex head	SH .....	square head
HHF .....	hex head flange	SHWH .....	slotted hex washer head
HHST .....	hex head self tapping	SPH .....	slotted pan head
HJ .....	hex jam	STD .....	standard
HOC .....	height-of-cut	TAP .....	self tapping
HS .....	hex socket	TH .....	truss head
HSBH .....	hex socket button head	TTH .....	Torx truss head
HSFH .....	hex socket flat head	WH .....	wing head
HSR .....	hex socket head		
HWH .....	hex washer head		

## Important Format Explanations

This catalog uses special formats to convey information in illustrations and parts lists. Specifically, one format is used in conjunction with service assemblies and another with quantities associated with reference numbers.

## Service Assemblies

Parts within service assemblies have reference numbers in the form  $X:Y$ .  $X$  is the reference number of the service assembly and  $Y$  is a sequential number unique to each part within the service assembly.

For example, a wheel assembly might be identified by reference number 6, the tire by 6:1, the valve by 6:2, and the wheel by 6:3. When you order the assembly identified by reference number 6, you receive all parts identified by reference numbers 6:1, 6:2, and 6:3. However, you may also order any part individually.

Reference numbers of this type appear in part lists and as callouts in illustrations.

## Reference Numbers with Quantities

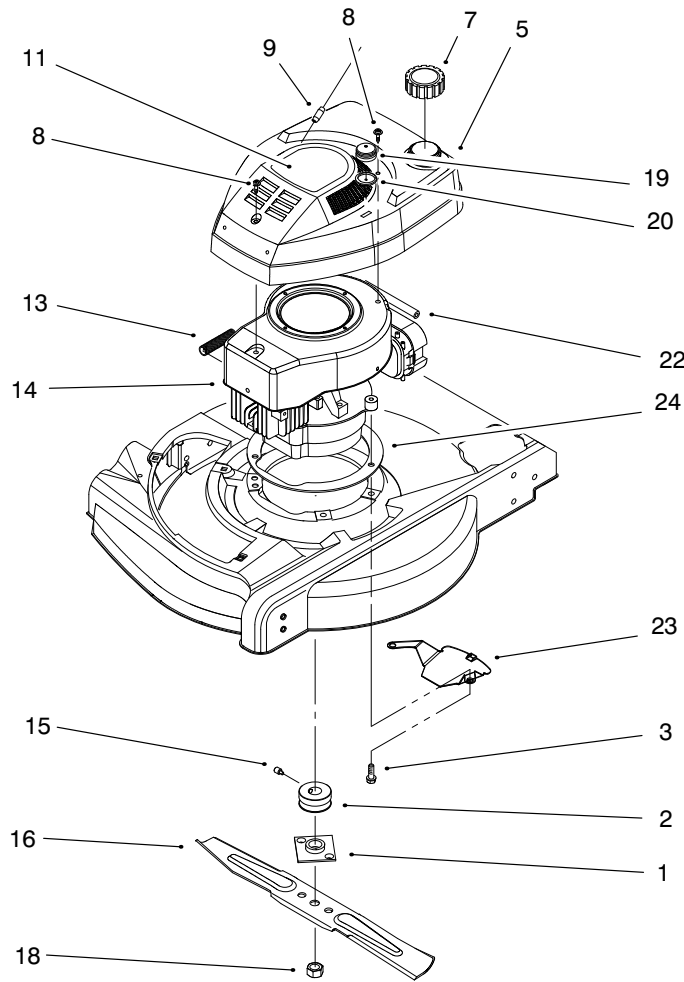
Illustrations may have a quantity in parentheses next to a reference number, in the form  $X (Y)$ .  $X$  is the reference number.  $Y$  in parentheses is the quantity of the part identified by the reference number.

For example, the illustration callout 4 (2) indicates that two parts are used in that instance.









Sheet No.:5

## Engine Assembly

Ref. No.	Part No.	Qty.	Description	Ref. No.	Part No.	Qty.	Description
1	677525	1	ASM-Plate & Collar				
2	92-6542	1	Pulley-Engine				
3	95-1726	3	Screw-Engine Mount				
5	92-6380	1	ASM-Tank & Shroud				
7	93-3660	1	ASM-Fuel/Oil Cap				
8	93-4302	3	Screw-Sems				
9	92-1701	1	Rope-Stop				
11	95-7058	1	Decal-Shroud				
13	93-4306	1	Spring-Compression				
14		1	ASM-Engine				
15	613227	1	Screw-Set				
16	612543	1	Blade-21" Whirl				
18	603164	1	Nut-Blade				
19	66-7460	1	Bulb-Primer				
20	44-2750	1	Body-Primer				
22	612782	1	Gas Line				
23	93-4196	1	Shield-Grass				
24	93-7152	1	Plate-Engine				



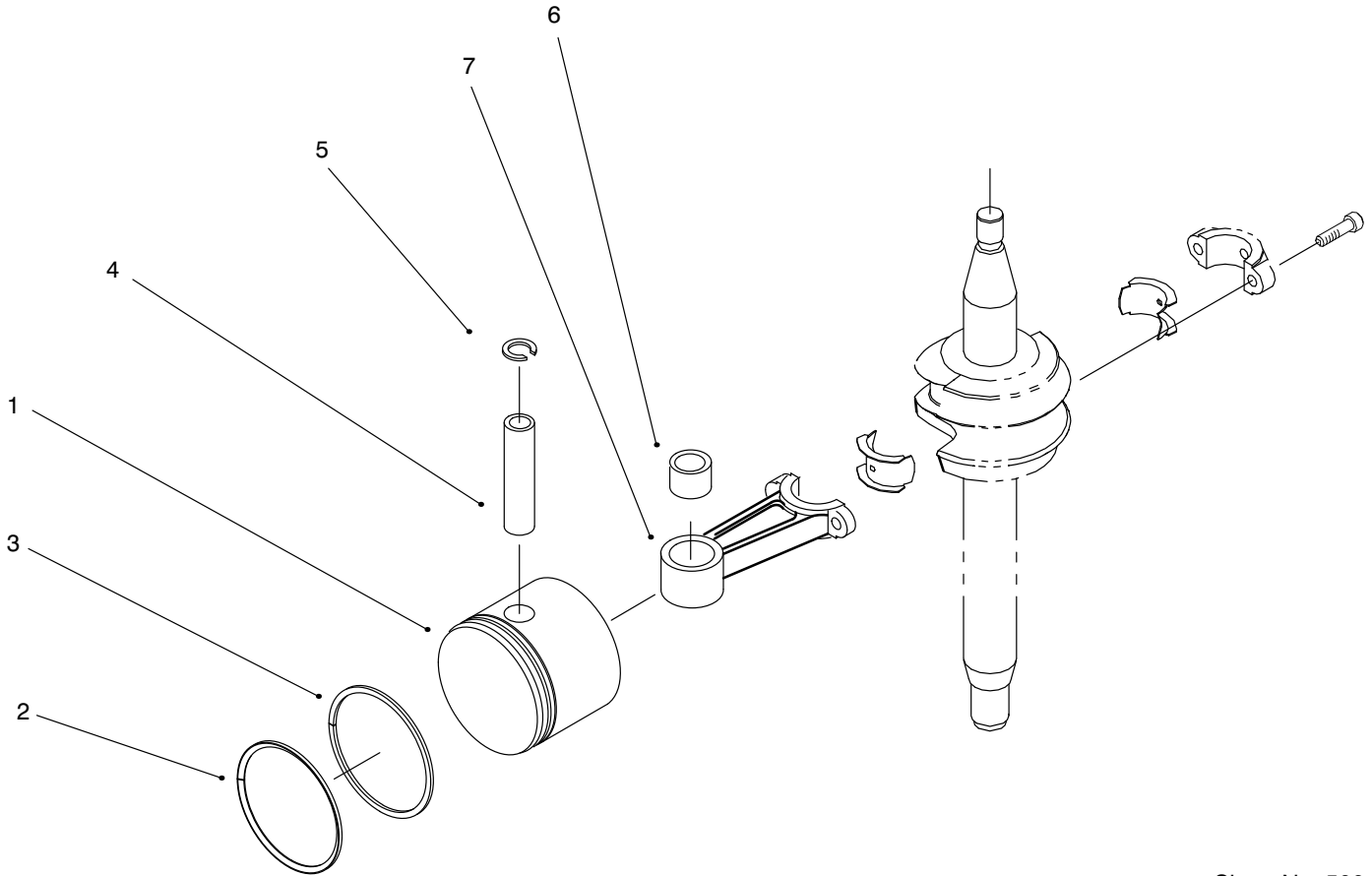










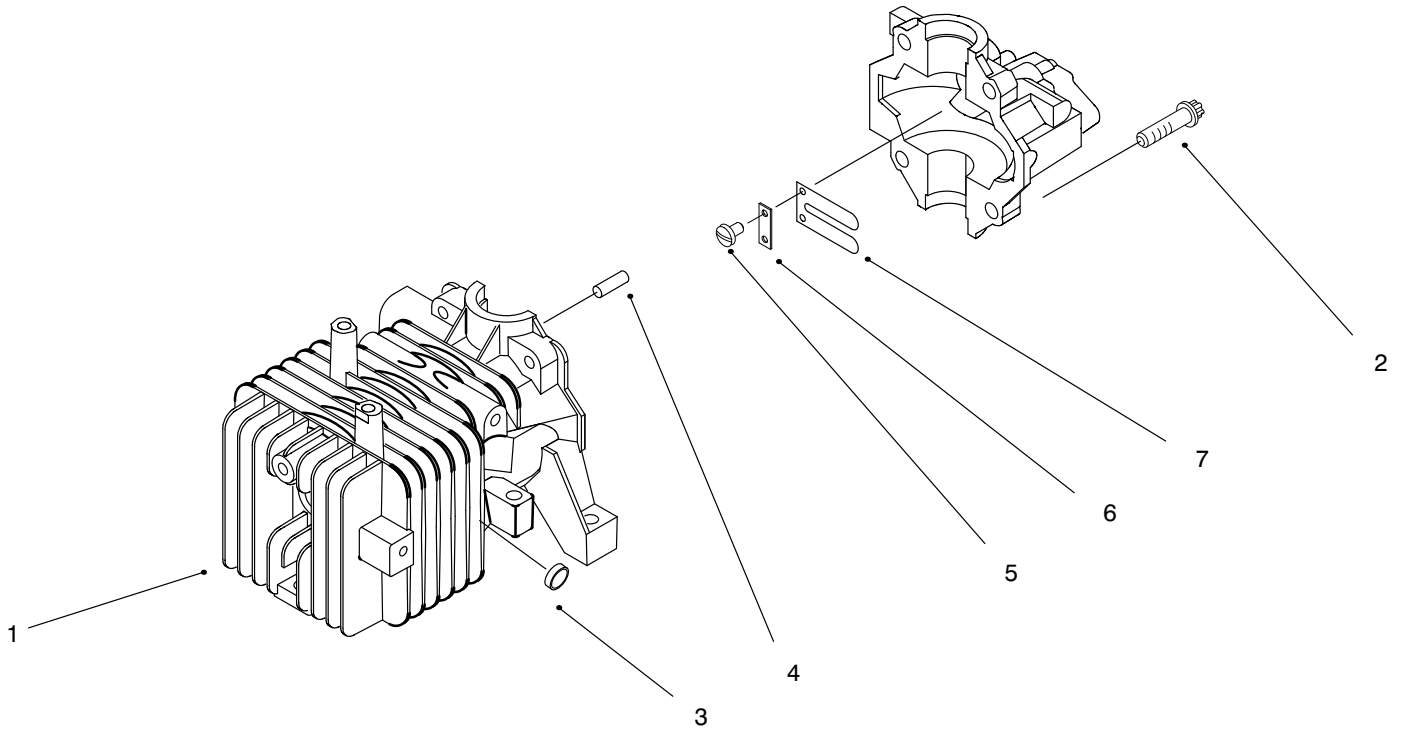


Sheet No.:500

## Piston & Connecting Rod Assembly

Ref. No.	Part No.	Qty.	Description
1	92-4924	1	Piston
2	681737	1	Ring-Piston
3	678422	1	Ring-Piston
4	606608	1	Pin-Wrist
5	303712	2	Ring-Retaining
6	92-4927	1	Roller-Bearing
7	92-4921	1	ASM-Connecting Rod

Ref. No.	Part No.	Qty.	Description



Sheet No.:600

### Crankcase Assembly

Ref. No.	Part No.	Qty.	Description
1	93-4347	1	Cyl & Crankcase ASM
2	614636	1	Screw-HWH
3	609123	4	Plug-Core
4	609629	1	Dowel
5	612872	2	Screw-Slotted Head
6	602587	1	Reed-Backup Plate
7	602588	1	Reed-Carburetor

Ref. No.	Part No.	Qty.	Description



# Toro Part Number Index

Part No.	Page No.	Ref. No.	Qty.	Description
130743	7	3	1	Nut
303712	11	5	2	Ring—Retaining
316959	7	4	1	Washer—Lock
602587	12	6	1	Reed—Backup Plate
602588	12	7	1	Reed—Carburetor
602850	10	17	1	Gasket—Float Chamber
603145	10	13	1	Clip
603164	4	18	1	Nut—Blade
605120	2	17:3	1	Grommet
606608	11	4	1	Pin—Wrist
607199	7	9	1	Key
607601	8	11	4	Screw
608850	10	19	4	Screw
609123	12	3	4	Plug—Core
609471	8	9	3	Screw
609482	7	17	2	Screw
609493	7	14	1	Element—Filter
609629	12	4	1	Dowel
609754	9	3	1	Roller Strip
610165	10	7	1	Retainer
610358	3	13	2	Nut—Lock
610383	7	18	1	Retainer—Filter
610834	10	2	1	Collar Adjustment
611071	10	11	1	Filter—Fuel
611393	9	4	2	Screw
611396	9	5	2	Oil Seal
612383	10	8	1	Washer
612543	4	16	1	Blade—21" Whirl
612782	4	22	1	Gas Line
612824	5	21	1	Clip—Rope
612825	5	14	1	Handle—Starter
612872	12	5	2	Screw—Slotted Head
613208	8	4	2	Screw—HWH
613227	4	15	1	Screw—Set
613269	7	22	4	Screw
613269	10	21	2	Screw
613765	2	17:4	1	Nut—Cage
614009	8	6	1	Plug—Spark
614243	5	3	2	Knob
614426	3	19	2	Washer—Stepped
614447	3	9	2	Spacer—Axle Shaft
614596	6	5	1	Gear—34t
614636	9	6	3	Screw—HWH
614636	12	2	1	Screw—HWH
614640	7	5	1	Hub—Starter
614643	5	19	1	Handle Section—Lower
614654	8	12	1	Plate—Muffler
614668	6	1	1	Cover—Gear Case
614669	6	17	2	Pulley—Half
614672	1	21	2	Bolt—Shoulder
614674	8	8	1	Cover—Muffler
614677	1	9	2	Screw—Sems
614687	1	22	2	Spring Arm—Front
614696	6	8	1	Shaft—Intermediate
614697	5	2	2	Screw—Handle
614699	7	16	3	Screw
614702	7	2	4	Screw
614702	8	2	1	Screw
677525	4	1	1	ASM—Plate & Collar
677982	9	1	2	Split Liner
678113	10	12	1	ASM—Float & Arm
678278	10	14	1	ASM—Float

\*Not Illustrated

# Toro Part Number Index (cont.)

Part No.	Page No.	Ref. No.	Qty.	Description
678422	11	3	1	Ring-Piston
681737	11	2	1	Ring-Piston
681830	9	8	1	Bearing (Upper)
681831	9	9	1	Bearing
684049	8	5	1	Ignition ASM
684743	7	6	1	ASM-Flywheel
684776	1	19	2	ASM-Wheel & Tire 6"
12-5450	8	14	1	Screw-Thread Forming
36-4780	6	6	2	Washer-Thrust
36-4791	6	11	2	Washer-Thrust
38-7820	6	13	1	Bearing-Ball
40-1940	1	18	2	Washer
44-2750	4	20	1	Body-Primer
44-3174	7	19	1	Hose-Primer
46-6811	2	22	1	Screw-HWH
49-2040	2	7	2	Screw-HH
53-4690	8	13	1	Stop-Ground Strap
55-3760	6	10	1	15 T Pinion
60-8750	6	12	2	Bushing
60-8850	6	3	2	Bushing-Output
60-8890	6	15	1	Gear-Pinion
60-9010	8	16	1	Strap-Ground
62-6660	6	18	1	Spacer-Pulley
65-2720	3	3	4	Ring-Retaining
65-4710	3	7	2	Ring-Friction
65-4720	3	17	2	Spring-Compression
65-4730	3	14	2	Washer-Thrust
65-4740	3	4	4	Washer-Thrust
65-4750	3	16	2	Gear-Pinion
65-4760	3	15	2	Washer
66-6040	3	6	1	Key-Rocking RH
66-6050	3	5	1	Key-Rocking LH
66-7460	4	19	1	Bulb-Primer
84-7820	8	3	1	Plate-Mount Brake
92-1001	5	9	1	Bail-Sp Control
92-1004	3	12	2	ASM-Spring Arm
92-1008	1	23	2	Knob-Height Adjust
92-1008	3	20	2	Knob-Height Adjust
92-1042	3	2	2	ASM-Whl
92-1057	3	1	2	Bolt-Shoulder
92-1099	1	20	2	Bolt-Shoulder
92-1156	8	15	1	Brake Switch Lead Wire
92-1701	4	9	1	Rope-Stop
92-2925	8	17	1	Strap-Insulation
92-4881	1	14	2	Plate-Height Adjust
92-4890	1	15	2	Washer
92-4921	11	7	1	ASM-Connecting Rod
92-4924	11	1	1	Piston
92-4925	9	2	1	ASM-Piston & Conn Rod
92-4927	11	6	1	Roller-Bearing
92-4929	13	4	1	ASM-Pulley
92-4930	13	5	2	Spring-Dog
92-4931	13	6	2	Dog
92-4933	13	9	1	Screw-Center
92-4934	13	7	1	Spring-Brake
92-4935	13	2	1	ASM-Keeper
92-4936	13	1	1	ASM-Housing
92-4944	10	3	1	Spring Governor
92-4948	7	11	2	Gasket-Carburetor
92-4949	10	20	1	Throttle Control Brkt
92-5412	5	8	2	Stop-Pivot
92-6370	10	10	1	Mainjet

\*Not Illustrated

# Toro Part Number Index (cont.)

Part No.	Page No.	Ref. No.	Qty.	Description
92-6371	10	9	1	Nozzle
92-6372	10	15	1	ASM-Seat
92-6373	10	4	1	Disc Throttle
92-6376	10	1	1	Air Vane & Shaft
92-6380	4	5	1	ASM-Tank & Shroud
92-6389	10	16	1	Pin
92-6542	4	2	1	Pulley-Engine
92-7723	2	12	1	ASM-Handle Bracket
92-7724	2	3	1	ASM-Handle Bracket
92-7727	6	2	1	Gearcase-Upper Ss
92-7728	2	6	1	Guide-Transmission
92-7729	5	6	1	Anchor-Cable
92-7731	1	16	2	Plate-Baffle
92-7735	2	4	1	ASM-Gear Case
92-7735	6		1	Gear Case ASM Complete
92-7738	5	18	1	Cable-Flywheel Brake
92-7746	3	8	2	ASM-Hgt Adj Arm
92-8647	2	20	1	Shield-Trailing
92-9665	2	8	1	Screw-Phil
92-9691	10	18	1	Float Chamber
92-9692	13	8	1	Retainer
92-9698	8	19	1	Screw-Shoulder
93-0239	6	7	1	Shaft-Output
93-1216	7	8	1	Base-Shroud
93-1225	10	6	1	Lever-Speed Adjust
93-1231	7	15	1	Cover-Air Filter
93-1233	8	7	1	Gasket-Exhaust
93-1236	13	*	1	ASM-Recoil
93-3653	5	31	1	Handle-Guard
93-3660	4	7	1	ASM-Fuel/Oil Cap
93-4184	5	12	1	Bail-Flywheel Brake
93-4196	4	23	1	Shield-Grass
93-4302	4	8	3	Screw-Sems
93-4304	7	1	1	ASM-Shroud & Recoil
93-4305	13	3	1	88 5/8 Grey Rope
93-4306	4	13	1	Spring-Compression
93-4312	8	1	1	ASM-Brake Plate
93-4315	7	20	1	Shield-Carburetor(Int'l)
93-4316	7	21	2	Shield-Governor V(Int'l)
93-4320	7	7	1	Shield-Fuel
93-4324	10	5	1	Carburetor Body
93-4331	7	13	1	ASM-Carburetor
93-4343	8	10	1	Baffle
93-4347	12	1	1	Cyl & Crankcase ASM
93-6657	2	17:9	1	Decal-Danger
93-6667	1	3:1	1	Decal-Danger
93-6667	2	17:10	1	Decal-Danger
93-6670	2	17:2	2	Decal-HOC
93-6671	2	17:1	2	Decal-HOC
93-7152	4	24	1	Plate-Engine
93-7380	5	20	1	Anchor-Cable
93-7381	3	10	1	V-Belt
93-7383	5	16	1	Guide-Rope
94-1609	3	18	2	Cover-Wheel
94-1610	1	10	2	Grommet-Plastic
94-1697	1	3	1	Guard-Plate/Decal
94-5713	9	7	1	Crankshaft
94-5737	9	0	1	ASM-Short Block V
95-1713	5	13	1	Handle Section-Upper
95-1726	4	3	3	Screw-Engine Mount
95-5590	5	7	1	Cable-Traction
95-7052	2	14	1	Plate-Cover

\*Not Illustrated

# Toro Part Number Index (cont.)

<b>Part No.</b>	<b>Page No.</b>	<b>Ref. No.</b>	<b>Qty.</b>	<b>Description</b>
95-7055	1	1	1	Decal-Deck
95-7058	4	11	1	Decal-Shroud
95-7068	2	9	1	Cover-Drive
95-7069	5	17	1	Cable-Throttle
95-7088	2	17	1	Housing & Baffle ASM
95-7403	1	17	2	Bracket-Wheel Height Adj
98-3248	5	43	1	Decal-Operation
252-76	9	12	1	Bearing-Thrust
252-80	9	13	1	Washer-Thrust
321-49	5	5	1	Screw-HH
321-50	5	15	1	Screw
322-3	2	21	6	Screw-HH
3256-1	5	25	1	Washer-Flat
3256-24	6	14	1	Washer-Flat
3285-19	6	4	2	Pin-Spirol
3290-378	5	36	3	Tie-Cable
3290-459	8	18	2	Rivet-Self Expand Plas
3296-5	6	16	1	Nut-Lock
3296-29	2	19	6	Nut-Lock
3296-73	5	4	2	Nut-Lock
32105-15	1	4		Screw-HH
32144-4	6	9	4	Screw-TAP
32144-85	3	11	2	Screw-HH