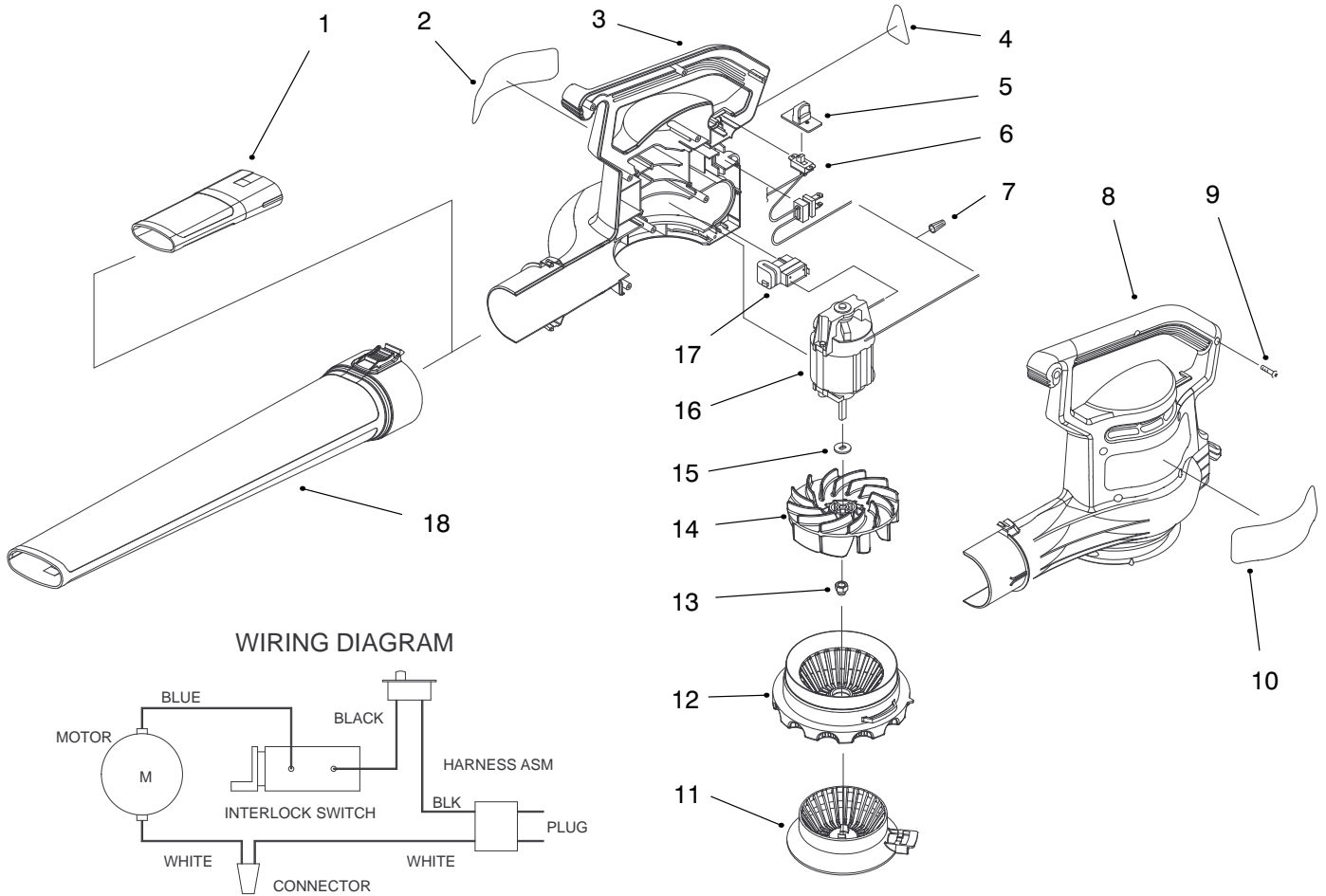




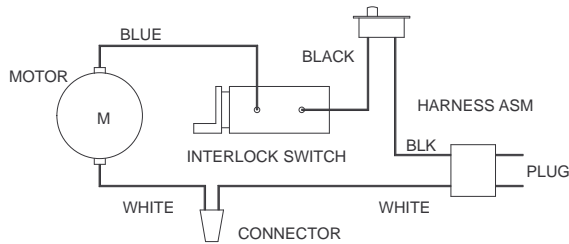
MODEL NO. 51587-8900001 & UP

PARTS  
CATALOG

**SUPER BLOWERVAC™**



WIRING DIAGRAM

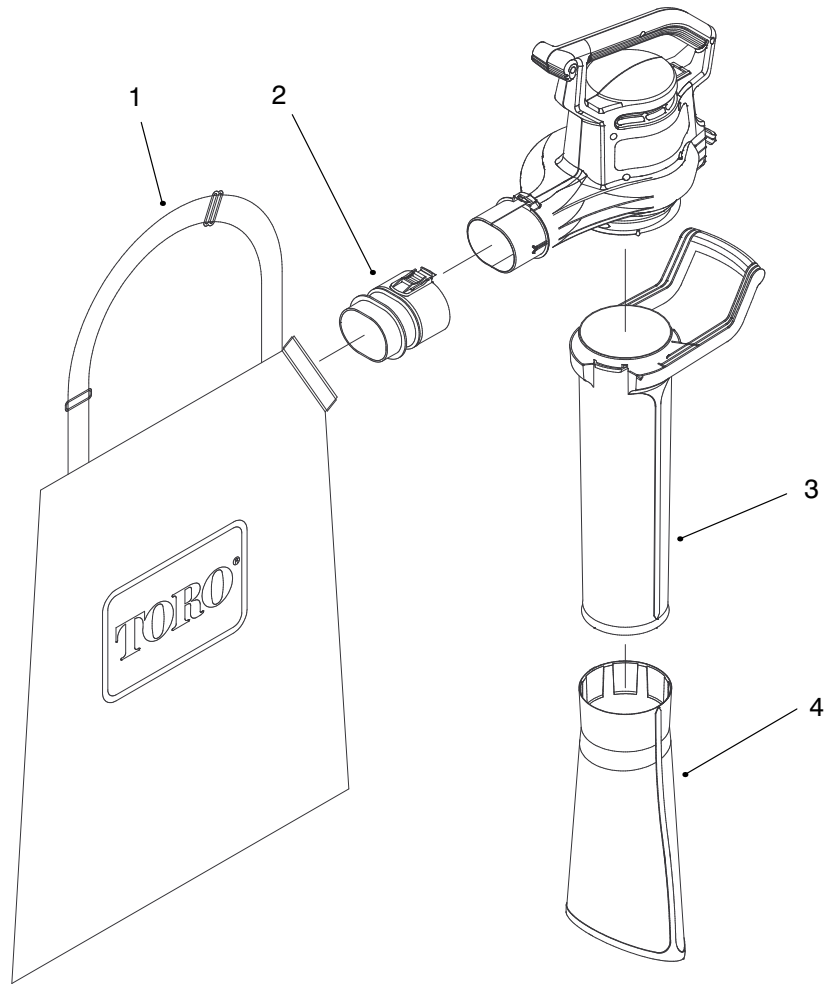


**FIRST PAGE**

Ref. No.	Part No.	Description	No. Used
1	98-3152	Insert - Tube	1
2	93-0579	Decal - Logo	1
3	93-0563	Housing - R.H.	1
4	95-5106	Decal - Information	1
5	93-0599	Cover - Switch	1
6	93-0578	Harness Assembly	1
7	73-6570	Connector - Wire Nut	1
8	93-0561	Housing - L.H.	1
9	94-4496	Screw - Phillips Hd. Tap.	9

Ref. No.	Part No.	Description	No. Used
10	98-3187	Decal - Warning	1
11	98-3155	Choke - Air	1
12	98-3153	Cover - Inlet	1
13	73-5380	Nut - Cap Hex	1
14	98-3150	Impeller	1
15	93-0585	Washer	1
16	98-3171	Motor	1
17	93-0567	Switch - Interlock	1
†18	98-3151	Tube - Blower	1

† Included in tube assembly No. 98-3170



**PAGES WITH A SINGLE LINE TITLE**

Ref. No.	Part No.	Description	No. Used
1	93-0583	Bag	1
2	93-0574	Tube - Bag Inlet	1

Ref. No.	Part No.	Description	No. Used
†3	93-0572	Tube - Vac Upper	1
†4	93-0573	Tube - Vac Lower	1

† Included in tube assembly No. 98-3170