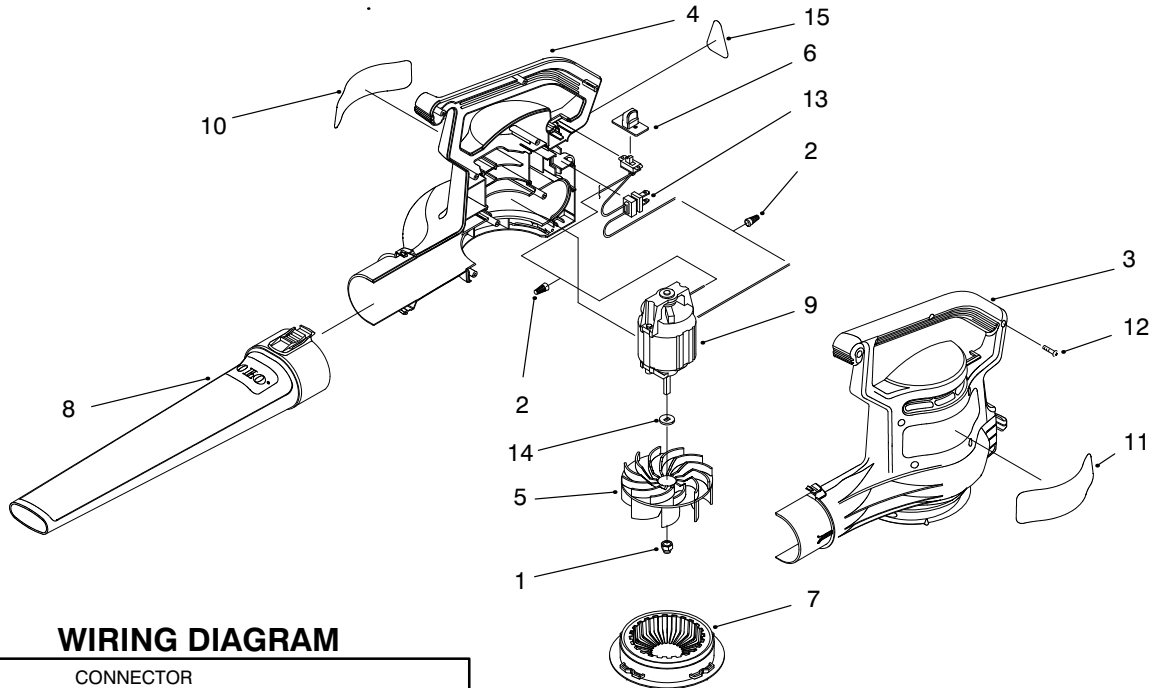




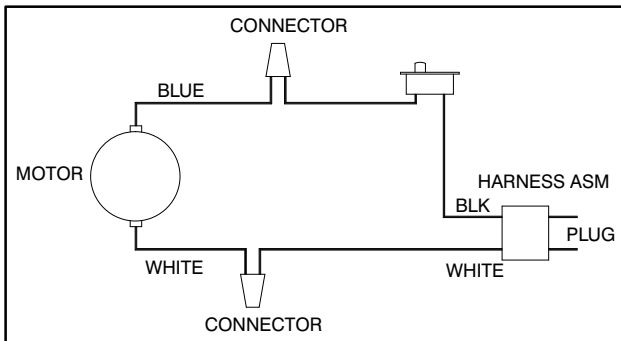
MODEL NO. 51586-890001 & UP

PARTS
CATALOG

POWER SWEEP BLOWER



WIRING DIAGRAM



C-2612

POWER SWEEP BLOWER ASSEMBLY

Ref. No.	Part No.	Description	No. Used
1	3296-29	Nut-Hex Lock	1
2	73-6570	Connector-Wire Nut	2
3	95-3021	Housing-LH	1
4	95-3022	Housing-RH	1
5	93-0564	Impeller	1
6	93-0565	Cover-Switch	1
7	94-9320	Cover-Inlet	1
8	93-0571	Tube-Blower	1

Ref. No.	Part No.	Description	No. Used
9	98-3172	Motor	1
10	95-3019	Decal-Logo	1
11	95-4412	Decal-Label	1
12	94-4496	Screw	9
13	93-0578	Harness Assembly	1
14	93-0585	Washer	1
15	95-5106	Decal-Information	1