



Count on it.

Parts Catalog

**TITAN® ZX4800 Zero-Turn-Radius
Riding Mower**

Model No. 74861—Serial No. 316000001 and Up



Ordering Replacement Parts

To order replacement parts, please supply the part number, the quantity, and the description of each part desired.

Understanding Reference Numbers

Each identified part in an illustration has a reference number. The reference number for a part also appears in the parts list, along with other information about the part.

This catalog uses two special reference number formats, one to indicate parts in a service assembly and another to indicate the quantity of a given part in an illustration.

Service Assembly Reference Numbers

Parts in service assemblies have reference numbers in the form a:b. The a represents the reference number of the entire service assembly and the b represents a sequential number unique to each part within the service assembly.

For example, a wheel assembly might be identified by reference number 6, the tire by 6:1, the valve by 6:2, and the wheel by 6:3. When you order the assembly identified by reference number 6, you receive all parts identified by reference numbers 6:1, 6:2, and 6:3. However, you may also order any part individually. Reference numbers of this type appear in illustration and in parts lists.

Reference Numbers Indicating Quantity

In an illustration, if a reference number indicates more than one part, the reference number has the form nX y. The n represents the quantity of the part, the X is the multiplication symbol, and the y represents the reference number.

For example, in an illustration, the reference number 2X 37 means that two of the parts identified by reference number 37 are indicated.

List of Abbreviations

AR: as required

ASM: assembly

BBC: blade brake control

BHTF: button head thread forming

CARR: carriage

CCW: counter clockwise

CW: clockwise

DEG: degrees

DPA: Dual Point Adjustment

ECM: electronic control module

EXT: external

FH: flat head

GA: gauge

HD: heavy-duty

HF: hex flange

HH: hex head

HHF: hex head flange

HHFTF: hex head flange thread forming

HJ: hex jam

HLH: hex lag head

HOC: height-of-cut

HP: high pressure

HSBH: hex socket button head

HSFH: hex socket flat head

HSH: hex socket head

HWH: hex washer head

HWHTF: hex washer head thread forming

HYD: hydraulic

LH: left hand

LP: low pressure

LPG: Liquefied Petroleum Gas

NI: nylon insert

NPTF: national pipe thread fine

PFH: phillips flat head

PPH: phillips pan head

PPHTF: phillips pan head thread forming

PRH: phillips round head

PTH: phillips truss head

PTO: power-take-off

RH: right hand

ROPS: roll-over protection system

RRB: rear roller brush

SFH: slotted fillister head

SHH: slotted hex head

SHWH: slotted hex washer head

SPH: slotted pan head

SQH: square head

SRH: slotted round head

STD: standard

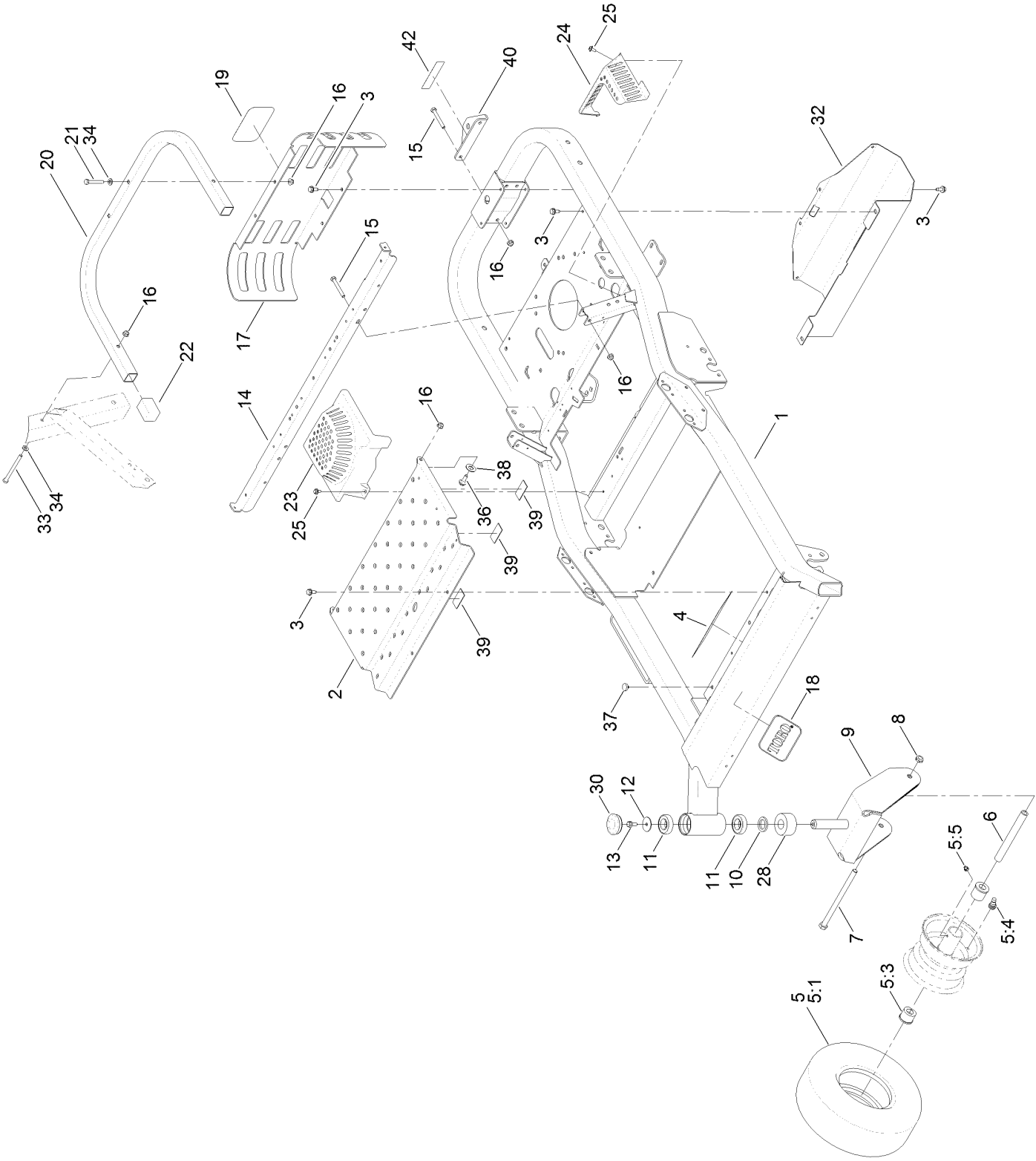
TAP: self tapping

TTH: torx truss head

Contents

| | |
|--|----|
| Frame, Front Axle and Caster Wheel Assembly | 4 |
| Control Panel and Body Styling Pod Assembly | 6 |
| Deck Lift Assembly | 8 |
| Seat Assembly | 10 |
| Seat Assembly No. 131-4147 | 12 |
| Traction Drive Assembly | 14 |
| LH Hydro Transmission Assembly No. 127-3381 | 16 |
| RH Hydro Transmission Assembly No. 127-3382 | 18 |
| Motion Control Assembly | 20 |
| Brake Link Assembly | 22 |
| Engine, Muffler and Clutch Assembly | 24 |
| Fuel Delivery Assembly | 26 |
| Multi Layer Fuel Tank Assembly No. 117-7352 | 28 |
| Roll-Over Protection System Assembly | 30 |
| Electrical Assembly | 32 |
| 48 Inch Deck Assembly | 34 |
| 48 Inch Deck and Decal Assembly No. 131-4142 | 36 |
| 48 Inch Deck, Belt and Mulch Blade Assembly | 38 |
| Attachments and Accessories | 40 |

Frame, Front Axle and Caster Wheel Assembly

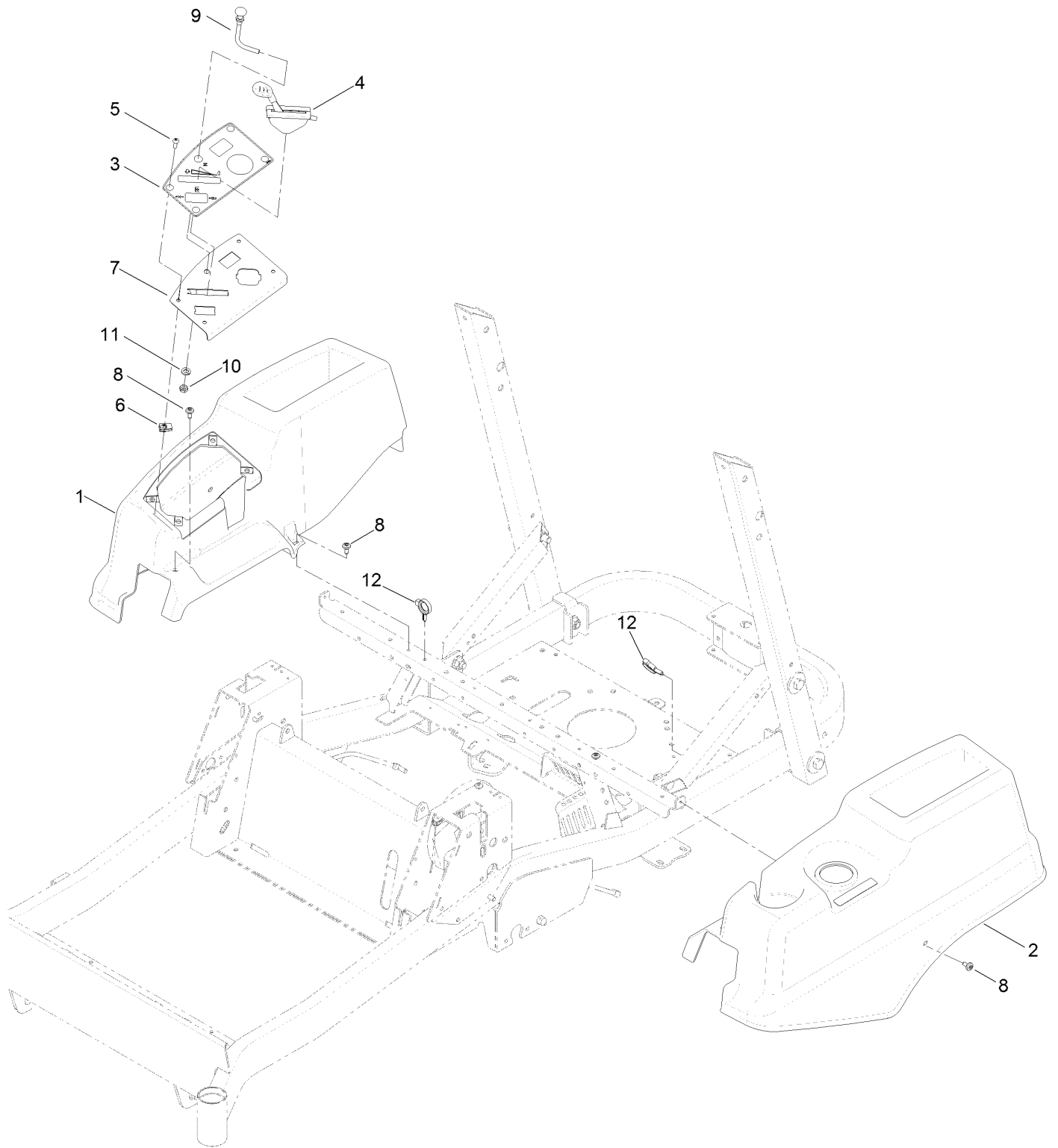


Frame, Front Axle and Caster Wheel Assembly (continued)

| <i>Ref.</i> | <i>Part Number</i> | <i>Qty.</i> | <i>Description</i> | <i>Ref.</i> | <i>Part Number</i> | <i>Qty.</i> | <i>Description</i> |
|-------------|--------------------|-------------|---------------------|-------------|--------------------|-------------|--------------------|
| 1 | 131-4039-01 | 1 | Frame ASM | 17 | 120-2248-03 | 1 | Guard-Rear |
| 2 | 127-3423-01 | 1 | Pan-Floor | 18 | 67-1300 | 1 | Decal |
| 3 | 32144-70 | 6 | Screw-HWHTF | 19 | 105-8278 | 1 | Decal |
| 4 | 132-0871 | 1 | Decal-Danger | 20 | 121-0704-01 | 1 | Tube-Guard |
| 5 | 127-3447 | 2 | Tire And Wheel ASM | 21 | 322-10 | 2 | Screw-HH |
| 5:1 | 120-2252 | 1 | Tire-13 Inch Smooth | 22 | 121-2980 | 2 | Cap |
| 5:3 | 114-1640 | 2 | Bushing-Flange | 23 | 117-1241 | 1 | Cover-Fan, RH |
| 5:4 | 232-27 | 1 | Stem-Valve | 24 | 117-1242 | 1 | Cover-Fan, LH |
| 5:5 | 302-5 | 1 | Fitting-Grease | 25 | 46-8560 | 2 | Screw-HHFTF |
| 5:99 | 232-46 | 1 | Tube ● | 28 | 127-3330-01 | 2 | Spacer-Caster |
| 6 | 119-3475 | 2 | Spanner | 30 | 116-4348 | 2 | Cap-Grease |
| 7 | 325-37 | 2 | Screw-HH | 32 | 131-4137-03 | 1 | Shield-Heat |
| 8 | 3296-45 | 2 | Nut-Lock, NI | 33 | 322-23 | 2 | Screw-HH |
| 9 | 127-3309-01 | 2 | Fork-Caster | 34 | 3256-23 | 4 | Washer-Flat |
| 10 | 10-8110 | 2 | Washer-Thrust | 36 | 116-1297 | 2 | Screw-Shoulder |
| 11 | 109-3678 | 4 | Bearing-Ball | 37 | 1-513658 | 3 | Bumper |
| 12 | 3256-68 | 2 | Washer-Flat | 38 | 112-9771 | 1 | Washer-Teflon |
| 13 | 3234-47 | 2 | Screw-HHF | 39 | 130-0733 | 3 | Pad-Rubber |
| 14 | 121-2953-03 | 1 | Support-Seat | 40 | 117-1232-03 | 1 | Bracket-Hitch |
| 15 | 322-12 | 4 | Screw-HH | 42 | 131-4036 | 1 | Decal |
| 16 | 104-8300 | 10 | Nut-Flange, NI | | | | |

● Not illustrated

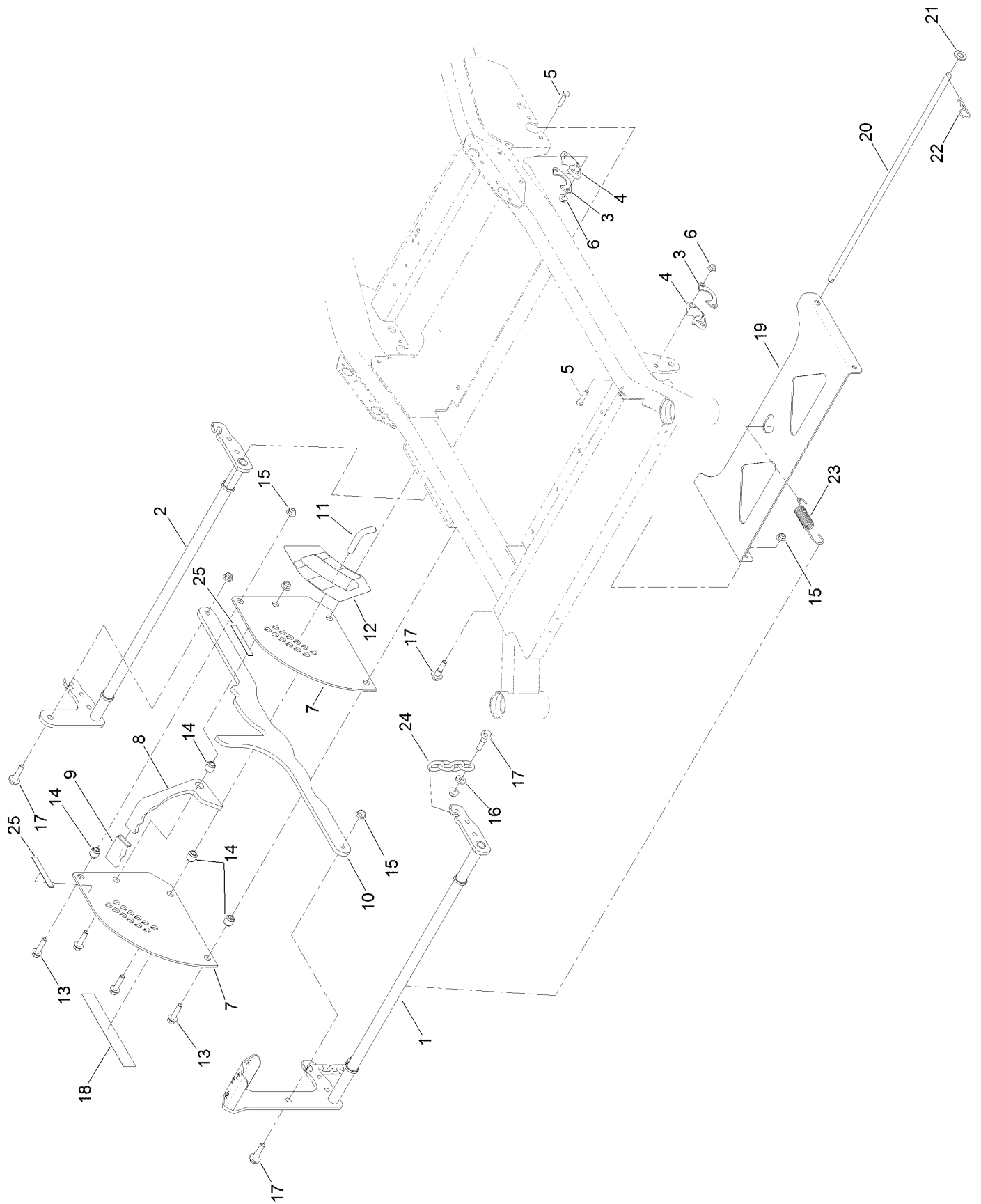
Control Panel and Body Styling Pod Assembly



Control Panel and Body Styling Pod Assembly (continued)

| <i>Ref.</i> | <i>Part Number</i> | <i>Qty.</i> | <i>Description</i> | <i>Ref.</i> | <i>Part Number</i> | <i>Qty.</i> | <i>Description</i> |
|-------------|--------------------|-------------|----------------------|-------------|--------------------|-------------|--------------------|
| 1 | 120-5488 | 1 | Pod-RH | 7 | 115-2591-03 | 1 | Panel-Control |
| 2 | 120-5489 | 1 | Pod-LH | 8 | 120-7950 | 6 | Screw-Shoulder |
| 3 | 115-9632 | 1 | Decal-Panel, Control | 9 | 115-9656 | 1 | Cable-Choke |
| 4 | 131-1006 | 1 | Cable-Throttle | 10 | 3253-21 | 1 | Washer-Lock |
| 5 | 3258-166 | 4 | Screw-PRH | 11 | 3220-3 | 1 | Nut-HJ |
| 6 | 107069 | 4 | Clip | 12 | 105-1853 | 2 | Clamp-Hose |

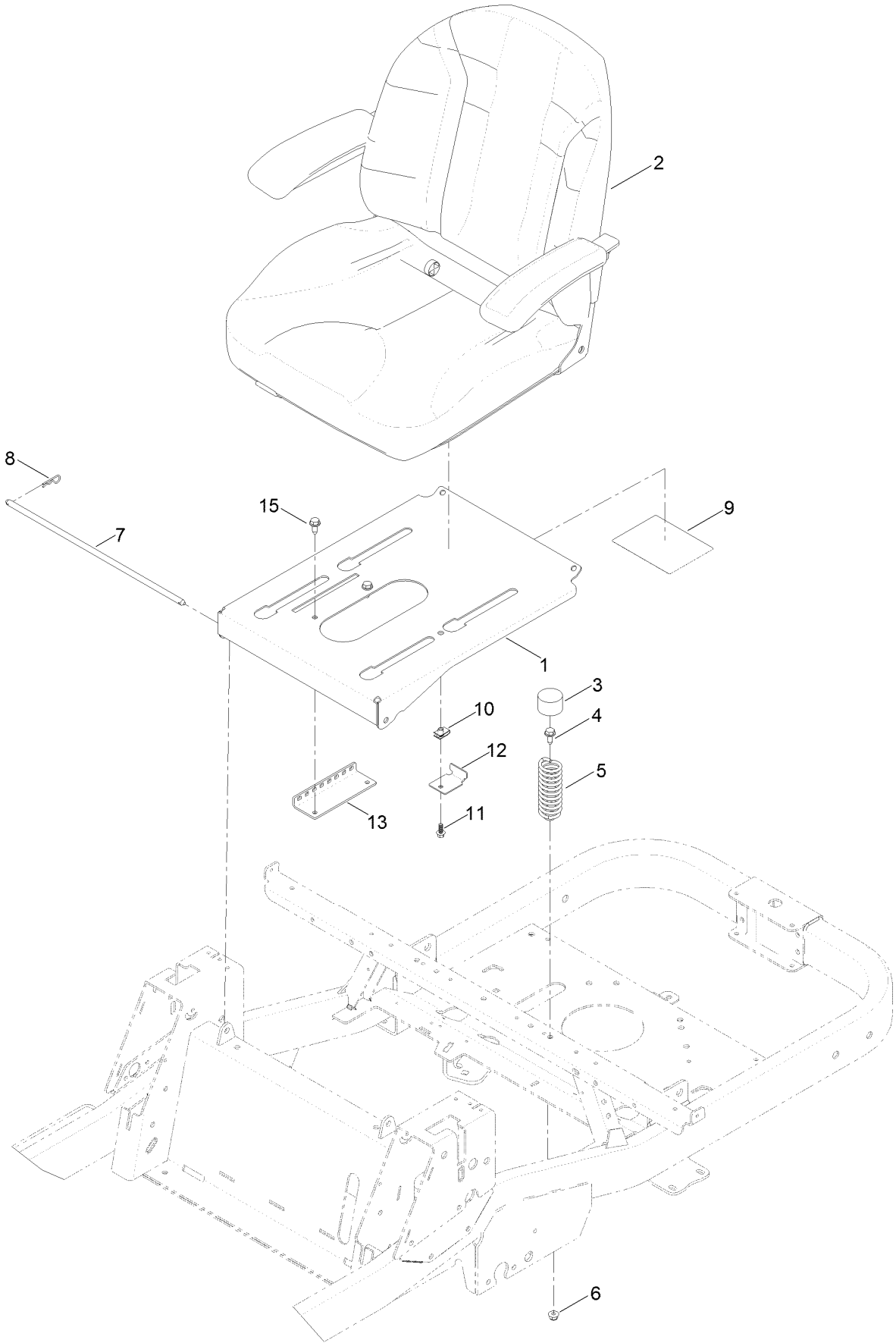
Deck Lift Assembly



Deck Lift Assembly (continued)

| <i>Ref.</i> | <i>Part Number</i> | <i>Qty.</i> | <i>Description</i> | <i>Ref.</i> | <i>Part Number</i> | <i>Qty.</i> | <i>Description</i> |
|-------------|--------------------|-------------|---------------------|-------------|--------------------|-------------|---------------------|
| 1 | 131-4058-03 | 1 | Pivot-Front | 14 | 116-4313 | 4 | Spacer-Step, Double |
| 2 | 131-4059-03 | 1 | Pivot-Rear | 15 | 104-8301 | 10 | Nut-Flange, NI |
| 3 | 116-2887 | 4 | Gusset-Lift, Deck | 16 | 43-0940 | 4 | Spacer |
| 4 | 115-5065 | 4 | Bushing-Flange | 17 | 130-0742 | 8 | Bolt-Shoulder |
| 5 | 322-6 | 8 | Screw-HH | 18 | 130-0785 | 1 | Decal |
| 6 | 104-8300 | 8 | Nut-Flange, NI | 19 | 127-3329-01 | 1 | Pan-Deck, Pivot |
| 7 | 127-3389-03 | 2 | Plate-Deck, Lift | 20 | 127-3399 | 1 | Rod-Deck, Pivot |
| 8 | 127-3391 | 1 | Lock-Transport, HOC | 21 | 3256-26 | 2 | Washer-Flat |
| 9 | 116-4312 | 1 | Grip-Bar, Flat | 22 | 1-806005 | 2 | Pin-Cotter |
| 10 | 127-3390-03 | 1 | Link-HOC | 23 | 115-9652 | 1 | Spring-Extension |
| 11 | 116-5584 | 1 | Pin-HOC | 24 | 130-0668 | 4 | Chain-Decklift |
| 12 | 130-0654 | 1 | Decal-HOC | 25 | 130-0734 | 2 | Pad-Rubber |
| 13 | 114-4681 | 4 | Screw-HHF | | | | |

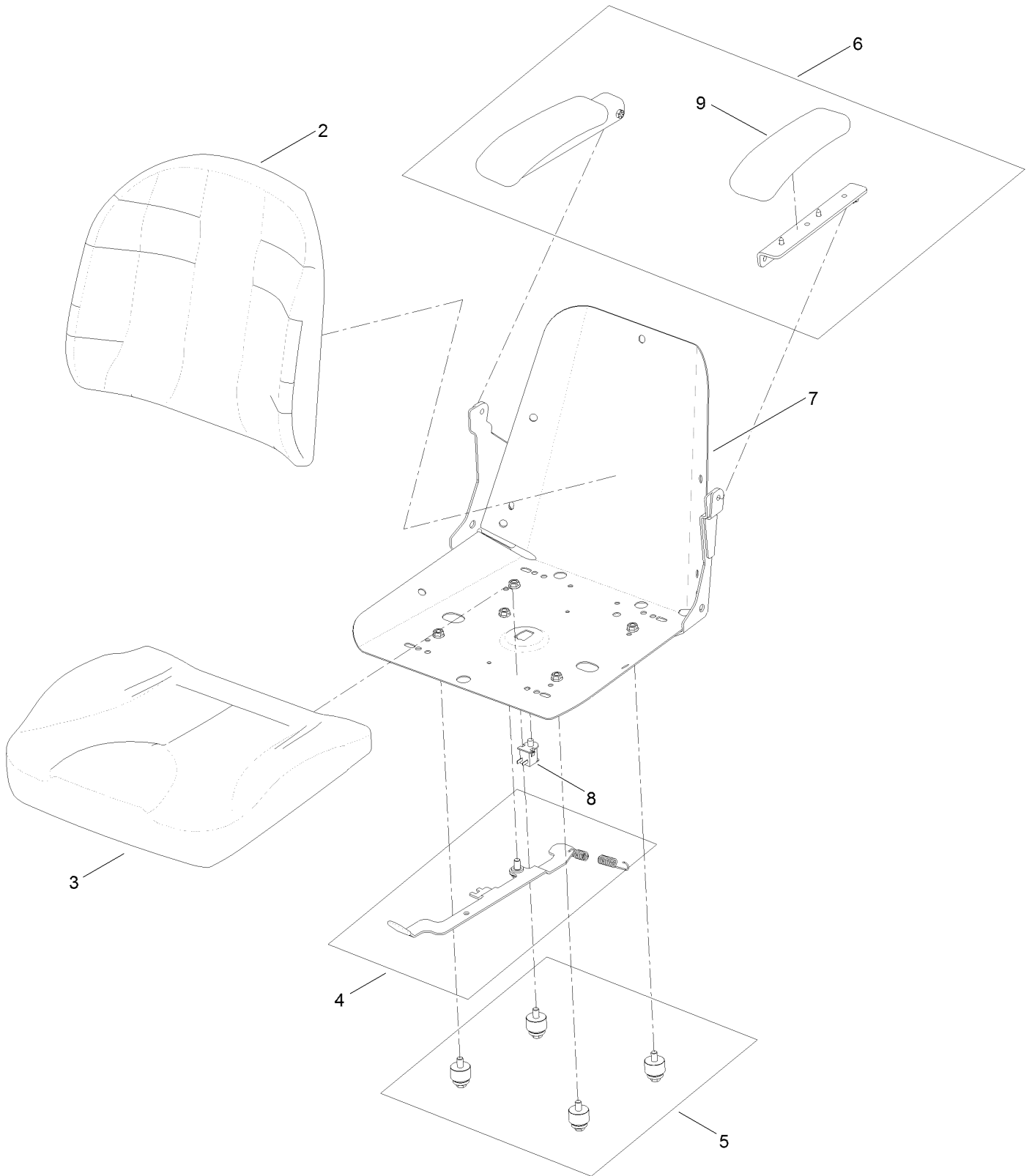
Seat Assembly



Seat Assembly (continued)

| <i>Ref.</i> | <i>Part Number</i> | <i>Qty.</i> | <i>Description</i> | <i>Ref.</i> | <i>Part Number</i> | <i>Qty.</i> | <i>Description</i> |
|-------------|--------------------|-------------|--------------------|-------------|--------------------|-------------|---------------------|
| 1 | 131-3944-03 | 1 | Pan-Seat | 8 | 3290-250 | 2 | Pin-Cotter |
| 2 | 131-4147 | 1 | Seat ASM | 9 | 130-6996 | 1 | Decal-Maintenance |
| 3 | 701178 | 3 | Cap-Protector | 10 | 107069 | 1 | Clip |
| 4 | 3234-47 | 3 | Screw-HHF | 11 | 99-6810 | 1 | Screw-HHF |
| 5 | 92-7054 | 3 | Spring-Compression | 12 | 131-1038 | 1 | Bracket-Stop, Seat |
| 6 | 104-8300 | 3 | Nut-Flange, NI | 13 | 131-4008-03 | 1 | Bracket-Latch, Seat |
| 7 | 115-4966 | 1 | Rod-Stop | 15 | 32144-70 | 2 | Screw-HWHTF |

Seat Assembly No. 131-4147

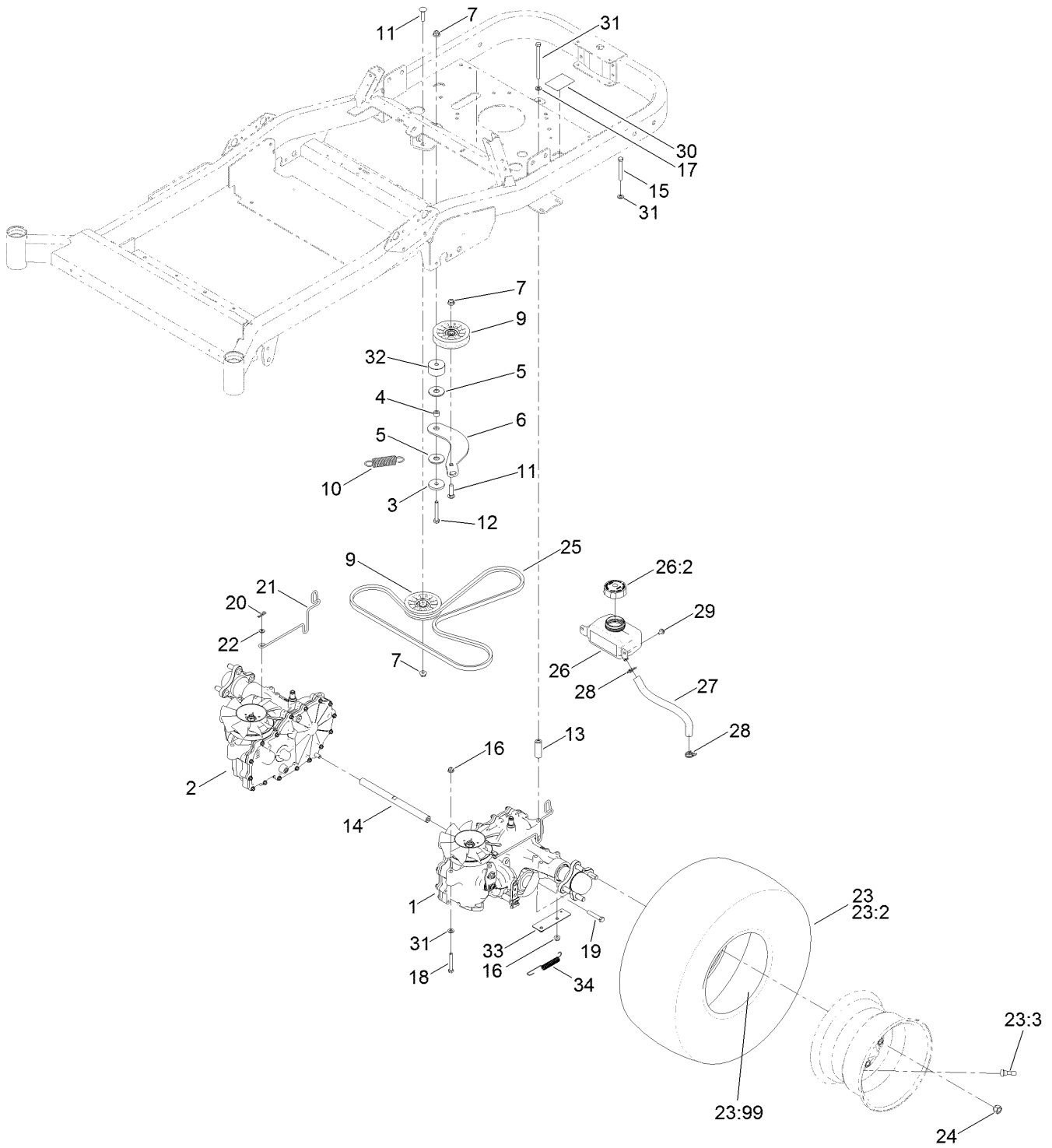


Seat Assembly No. 131-4147 (continued)

| <i>Ref.</i> | <i>Part Number</i> | <i>Qty.</i> | <i>Description</i> |
|-------------|--------------------|-------------|----------------------|
| 2 | 131-4149 | 1 | Cushion-Seat, Back |
| 3 | 131-4151 | 1 | Cushion-Seat, Bottom |
| 4 | 131-4153 | 1 | Track ASM |
| 5 | 131-4154 | 1 | Bushing ASM |

| <i>Ref.</i> | <i>Part Number</i> | <i>Qty.</i> | <i>Description</i> |
|-------------|--------------------|-------------|--------------------|
| 6 | 131-4155 | 1 | Armrest Kit |
| 7 | 131-4156 | 1 | Shell |
| 8 | 82-2190 | 1 | Switch-Bail |
| 9 | 110-4163 | 2 | Cushion-Rest, Arm |

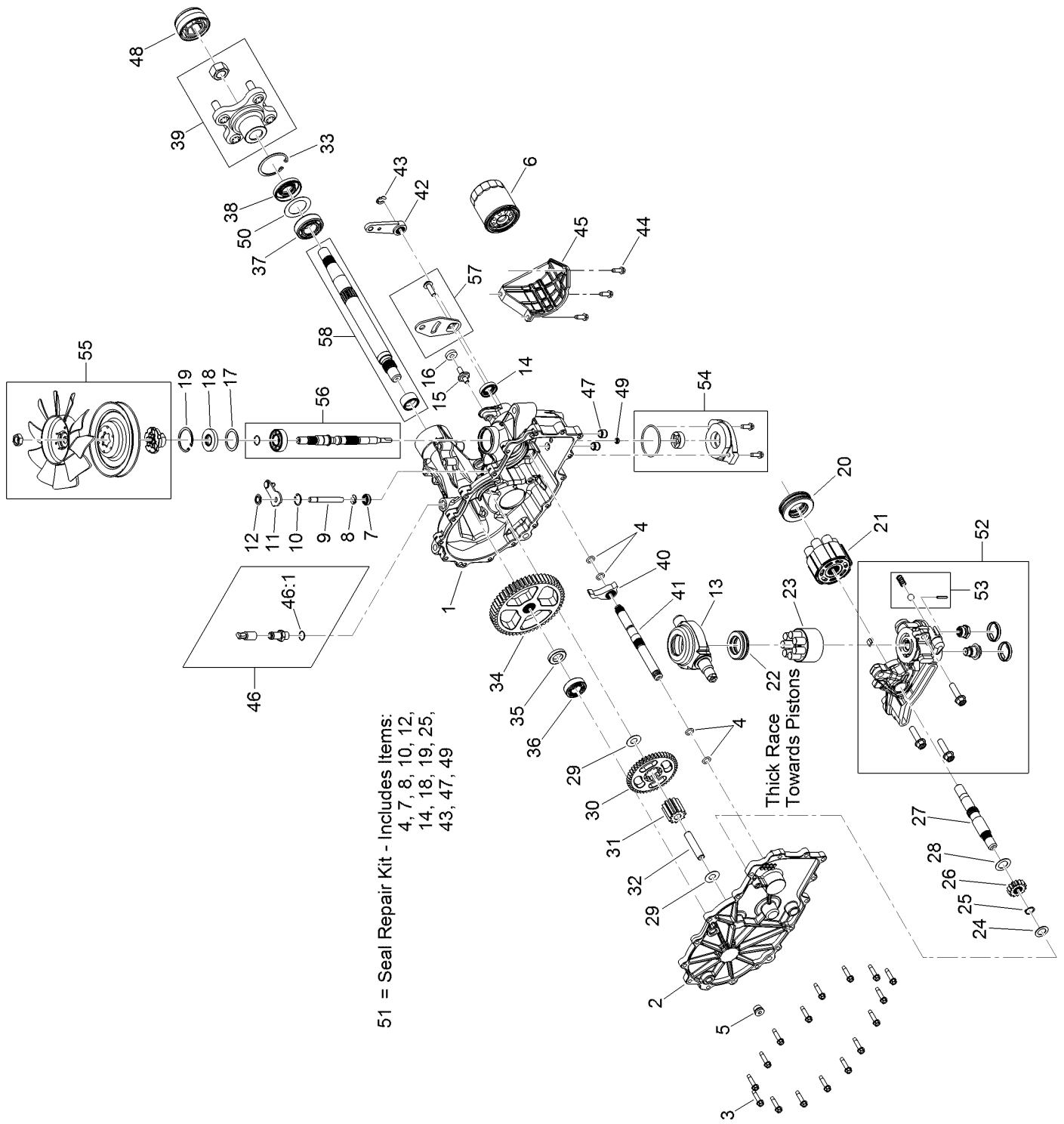
Traction Drive Assembly



Traction Drive Assembly (continued)

| <i>Ref.</i> | <i>Part Number</i> | <i>Qty.</i> | <i>Description</i> | <i>Ref.</i> | <i>Part Number</i> | <i>Qty.</i> | <i>Description</i> |
|-------------|--------------------|-------------|------------------------------|-------------|--------------------|-------------|--------------------|
| 1 | 127-3381 | 1 | LH Hydro Transmission ASM | 20 | 1-806003 | 2 | Pin-Cotter |
| 2 | 127-3382 | 1 | RH Hydro Transmission ASM | 21 | 125-8950 | 2 | Rod-Bypass |
| 3 | 110-9981 | 1 | Washer-Plain | 22 | 119-8952 | 2 | Washer |
| 4 | 115-4986 | 1 | Spacer | 23 | 127-3449 | 2 | Tire And Wheel ASM |
| 5 | 114-0463 | 2 | Washer-Friction, Composite | 23:2 | 125-1821 | 1 | Tire |
| 6 | 117-5350 | 1 | Arm-Idler | 23:3 | 232-27 | 1 | Stem-Valve |
| 7 | 104-8301 | 3 | Nut-Flange, NI | 23:99 | 105-4070 | 1 | Tube-Inner |
| 9 | 109-3397 | 2 | Pulley-Idler, Flat | 24 | 242-50 | 8 | Nut-Lug |
| 10 | 1-603402 | 1 | Spring-Extension | 25 | 115-9613 | 1 | V-Belt |
| 11 | 3231-26 | 2 | Screw-CARR | 26 | 115-9618 | 1 | HYD Reservoir ASM |
| 12 | 323-12 | 1 | Screw-HH | 26:2 | 109-3320 | 1 | Cap-Reservoir, HYD |
| 13 | 109-3652 | 2 | Spacer-Hydro | 27 | 115-4969 | 2 | Hose-Overflow |
| 14 | 115-2559 | 1 | Shaft-Cross, Hydro | 28 | 117-1193 | 4 | Clamp-Hose |
| 15 | 322-13 | 4 | Screw-HH | 29 | 46-8560 | 2 | Screw-HHFTF |
| 16 | 104-8300 | 8 | Nut-Flange, NI | 30 | 130-6922 | 2 | Decal-Bypass |
| 17 | 322-38 | 2 | Screw-HH | 31 | 3256-23 | 8 | Washer-Flat |
| 18 | 322-11 | 2 | Screw-HH | 32 | 117-5351 | 1 | Spacer |
| 19 | 323-10 | 2 | Screw-HH | 33 | 117-7248-03 | 2 | Plate-Spring |
| | | | | 34 | 110769 | 2 | Spring-Extension |

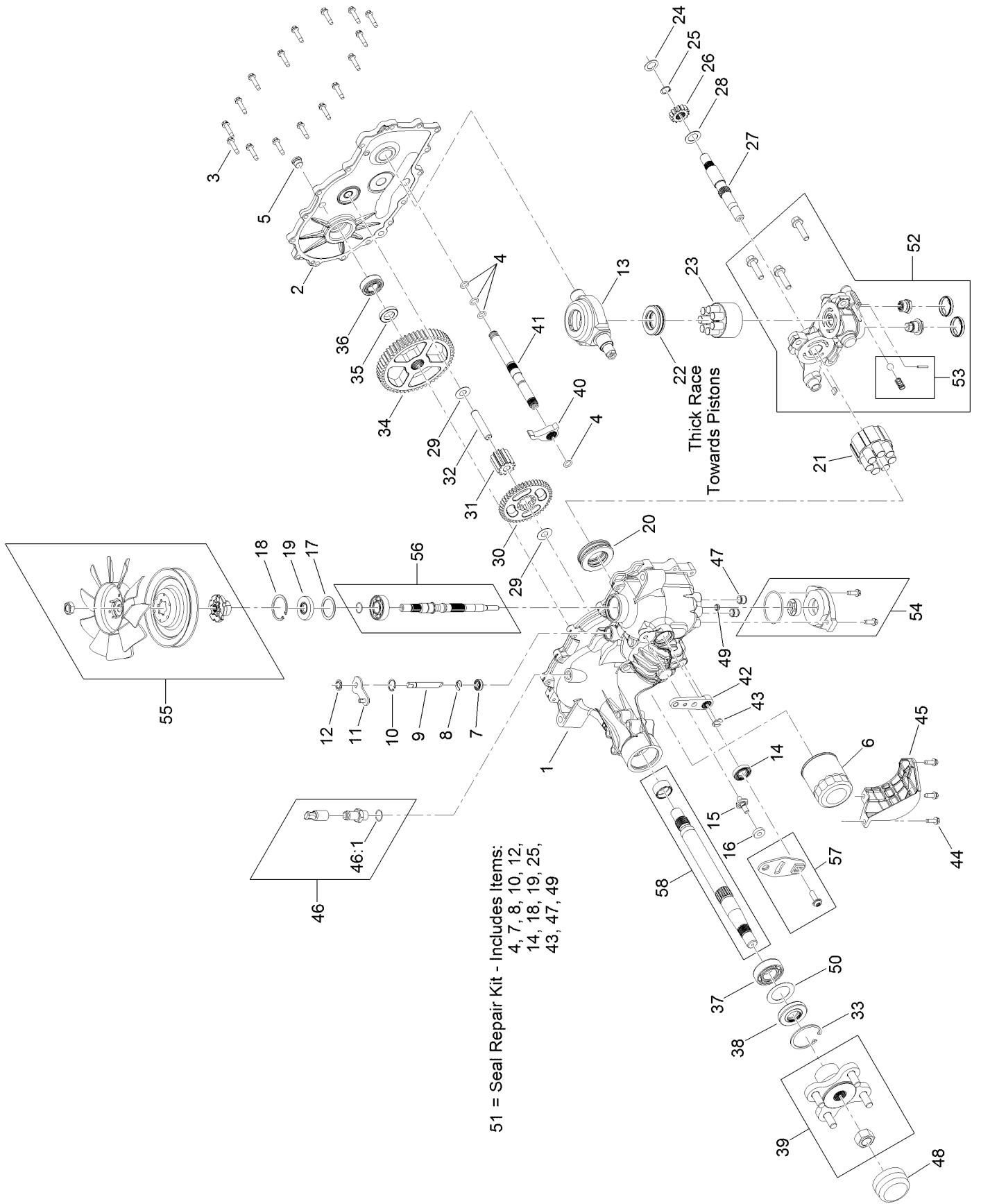
LH Hydro Transmission Assembly No. 127-3381



LH Hydro Transmission Assembly No. 127-3381 (continued)

| <i>Ref.</i> | <i>Part Number</i> | <i>Qty.</i> | <i>Description</i> | <i>Ref.</i> | <i>Part Number</i> | <i>Qty.</i> | <i>Description</i> |
|-------------|--------------------|-------------|--------------------------|-------------|--------------------|-------------|------------------------------|
| 1 | 114-8471 | 1 | Main Housing Kit | 31 | 120-7974 | 1 | Gear-11T |
| 2 | 114-8472 | 1 | Side Cover Kit | 32 | 104-5329 | 1 | Pin-Jackshaft |
| 3 | 117-5359 | 16 | Screw-HHF | 33 | 104-2169 | 1 | Ring-Retaining |
| 4 | 114-1678 | 4 | O-Ring | 34 | 114-1694 | 1 | Gear-54T |
| 5 | 104-2189 | 1 | Plug-Thread, Straight | 35 | 120-7975 | 1 | Spacer |
| 6 | 109-3321 | 1 | Element-Oil Filter, HYD | 36 | 126-0789 | 1 | Bearing-Ball |
| 7 | 106-8676 | 1 | Seal-Lip | 37 | 120-7976 | 1 | Bearing-Ball |
| 8 | 106-8677 | 1 | Ring-Retaining, EXT | 38 | 104-2144 | 1 | Seal |
| 9 | 114-1685 | 1 | Rod-Bypass | 39 | 109-5939 | 1 | Hub Kit |
| 10 | 106-8679 | 1 | Ring-Retaining, Int | 40 | 114-1697 | 1 | Pawl-Brake |
| 11 | 107-2490 | 1 | Arm-Bypass | 41 | 131-0907 | 1 | Shaft-Brake |
| 12 | 106-8681 | 1 | Ring-Retaining, EXT | 42 | 125-0021 | 1 | Handle-Brake |
| 13 | 104-5304 | 1 | Swashplate-Trunnion | 43 | 131-0906 | 1 | Ring-Retaining, EXT |
| 14 | 104-5313 | 1 | Seal-Lip | 44 | 104-2120 | 3 | Screw |
| 15 | 104-2116 | 1 | Stud | 45 | 120-7979 | 1 | Guard-Filter, LH |
| 16 | 112-9853 | 1 | Puck-Friction | 46 | 109-3278 | 1 | Adapter-Straight |
| 17 | 104-5308 | 1 | Spacer | 46:1 | 237-42 | 1 | O-Ring |
| 18 | 104-5310 | 1 | Seal-Lip | 47 | 114-8455 | 2 | Tube-Connecting |
| 19 | 104-5309 | 1 | Ring-Retaining | 48 | 115-5057 | 1 | Cover-Nut, Axle |
| 20 | 112-4154 | 1 | Bearing-Thrust | 49 | 131-0908 | 1 | Seal-Gerotor |
| 21 | 114-1689 | 1 | Motor Cylinder Block Kit | 50 | 121-5745 | 1 | Spacer |
| 22 | 94-6922 | 1 | Bearing-Thrust | 51 | 109-3537 | 1 | Seal Kit |
| 23 | 110-8561 | 1 | Pump Block ASM | 52 | 131-0909 | 1 | LH Center Section Charge Kit |
| 24 | 104-5339 | 1 | Washer-Flat | 53 | 114-8464 | 1 | Charge Relief Kit |
| 25 | 104-5340 | 1 | Ring-Retaining | 54 | 114-8465 | 1 | Charge Kit |
| 26 | 131-0905 | 1 | Gear-14T | 55 | 125-0059 | 1 | Fan And Pulley Kit |
| 27 | 114-1691 | 1 | Shaft-Motor | 56 | 117-5361 | 1 | Input Shaft Kit |
| 28 | 104-5360 | 1 | Washer | 57 | 117-5362 | 1 | Arm Control Kit |
| 29 | 94-1933 | 2 | Washer | 58 | 114-8470 | 1 | Axle Shaft Kit |
| 30 | 114-1692 | 1 | Gear-45T | | | | |

RH Hydro Transmission Assembly No. 127-3382



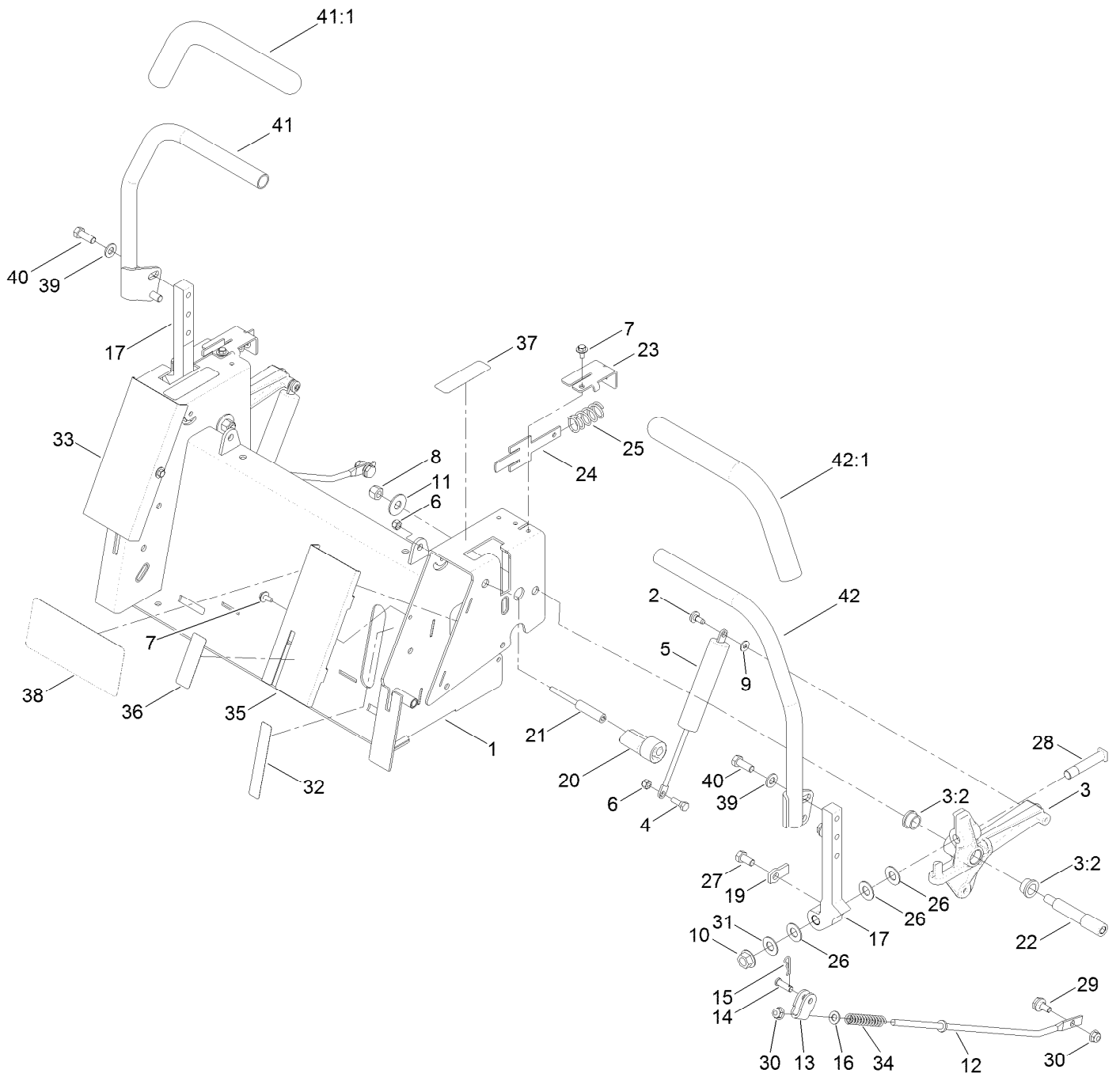
51 = Seal Repair Kit - Includes Items:
 4, 7, 8, 10, 12,
 14, 18, 19, 25,
 43, 47, 49

Thick Race
 Towards Pistons

RH Hydro Transmission Assembly No. 127-3382 (continued)

| <i>Ref.</i> | <i>Part Number</i> | <i>Qty.</i> | <i>Description</i> | <i>Ref.</i> | <i>Part Number</i> | <i>Qty.</i> | <i>Description</i> |
|-------------|--------------------|-------------|--------------------------|-------------|--------------------|-------------|------------------------------|
| 1 | 114-1676 | 1 | Main Housing Kit | 31 | 120-7974 | 1 | Gear-11T |
| 2 | 117-5358 | 1 | Housing Side Kit | 32 | 104-5329 | 1 | Pin-Jackshaft |
| 3 | 117-5359 | 16 | Screw-HHF | 33 | 104-2169 | 1 | Ring-Retaining |
| 4 | 114-1678 | 4 | O-Ring | 34 | 114-1694 | 1 | Gear-54T |
| 5 | 104-2189 | 1 | Plug-Thread, Straight | 35 | 120-7975 | 1 | Spacer |
| 6 | 109-3321 | 1 | Element-Oil Filter, HYD | 36 | 126-0789 | 1 | Bearing-Ball |
| 7 | 106-8676 | 1 | Seal-Lip | 37 | 120-7976 | 1 | Bearing-Ball |
| 8 | 106-8677 | 1 | Ring-Retaining, EXT | 38 | 104-2144 | 1 | Seal |
| 9 | 114-1685 | 1 | Rod-Bypass | 39 | 109-5939 | 1 | Hub Kit |
| 10 | 106-8679 | 1 | Ring-Retaining, Int | 40 | 114-1697 | 1 | Pawl-Brake |
| 11 | 107-2490 | 1 | Arm-Bypass | 41 | 131-0907 | 1 | Shaft-Brake |
| 12 | 106-8681 | 1 | Ring-Retaining, EXT | 42 | 125-0021 | 1 | Handle-Brake |
| 13 | 104-5304 | 1 | Swashplate-Trunnion | 43 | 131-0906 | 1 | Ring-Retaining, EXT |
| 14 | 104-5313 | 1 | Seal-Lip | 44 | 104-2120 | 3 | Screw |
| 15 | 104-2116 | 1 | Stud | 45 | 120-7981 | 1 | Guard-Filter, RH |
| 16 | 112-9853 | 1 | Puck-Friction | 46 | 109-3278 | 1 | Adapter-Straight |
| 17 | 104-5308 | 1 | Spacer | 46:1 | 237-42 | 1 | O-Ring |
| 18 | 104-5310 | 1 | Seal-Lip | 47 | 114-8455 | 2 | Tube-Connecting |
| 19 | 104-5309 | 1 | Ring-Retaining | 48 | 115-5057 | 1 | Cover-Nut, Axle |
| 20 | 112-4154 | 1 | Bearing-Thrust | 49 | 131-0908 | 1 | Seal-Gerotor |
| 21 | 114-1689 | 1 | Motor Cylinder Block Kit | 50 | 121-5745 | 1 | Spacer |
| 22 | 94-6922 | 1 | Bearing-Thrust | 51 | 109-3537 | 1 | Seal Kit |
| 23 | 110-8561 | 1 | Pump Block ASM | 52 | 131-0910 | 1 | RH Center Section Charge Kit |
| 24 | 104-5339 | 1 | Washer-Flat | 53 | 114-8464 | 1 | Charge Relief Kit |
| 25 | 104-5340 | 1 | Ring-Retaining | 54 | 114-8465 | 1 | Charge Kit |
| 26 | 131-0905 | 1 | Gear-14T | 55 | 125-0059 | 1 | Fan And Pulley Kit |
| 27 | 114-1691 | 1 | Shaft-Motor | 56 | 117-5361 | 1 | Input Shaft Kit |
| 28 | 104-5360 | 1 | Washer | 57 | 117-5362 | 1 | Arm Control Kit |
| 29 | 94-1933 | 2 | Washer | 58 | 114-8470 | 1 | Axle Shaft Kit |
| 30 | 114-1692 | 1 | Gear-45T | | | | |

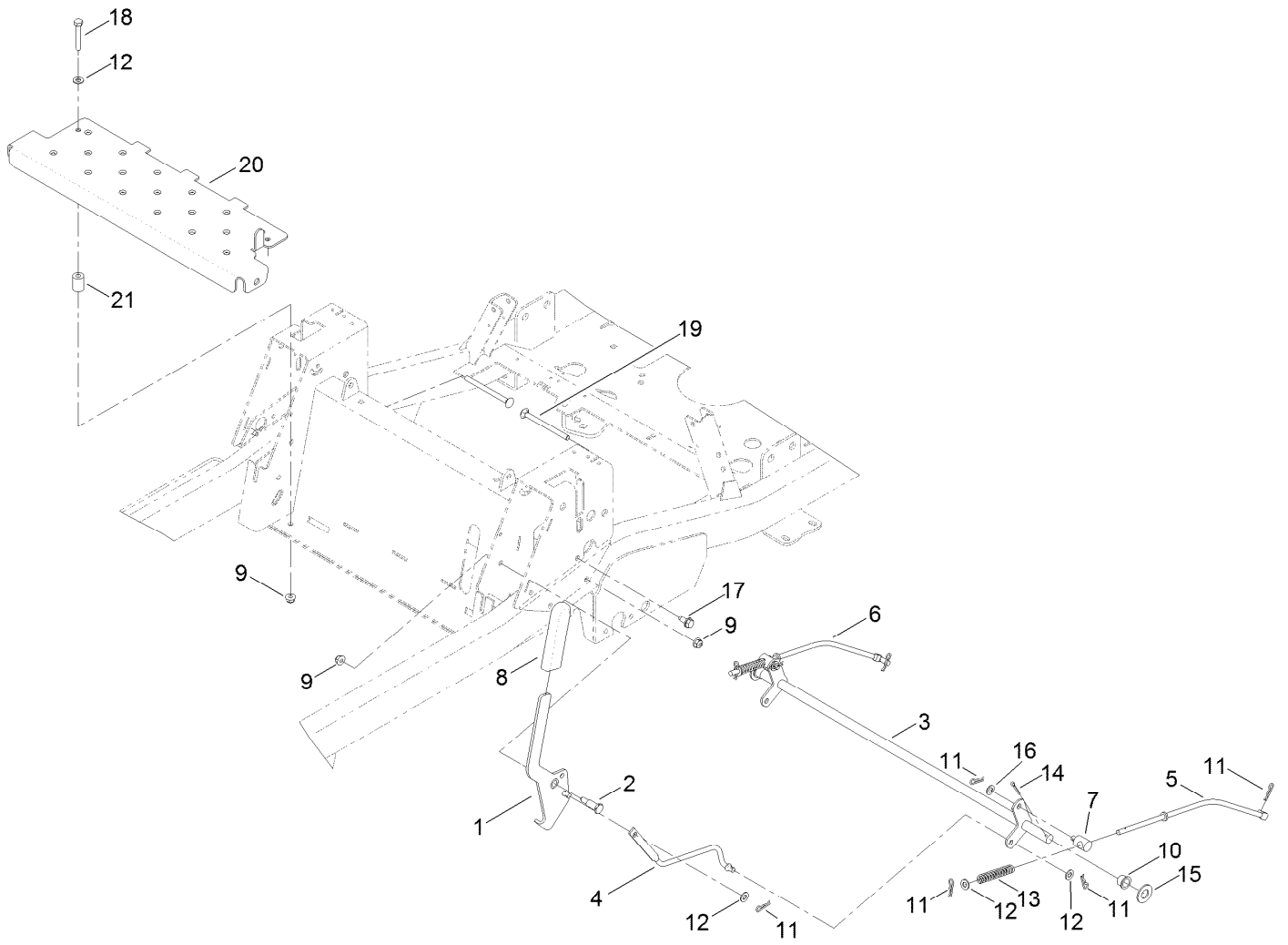
Motion Control Assembly



Motion Control Assembly (continued)

| <i>Ref.</i> | <i>Part Number</i> | <i>Qty.</i> | <i>Description</i> | <i>Ref.</i> | <i>Part Number</i> | <i>Qty.</i> | <i>Description</i> |
|-------------|--------------------|-------------|--------------------|-------------|--------------------|-------------|------------------------|
| 1 | 127-3282-03 | 1 | Box-Control | 23 | 110-6751 | 2 | Bracket-Return |
| 2 | 120-7950 | 2 | Screw-Shoulder | 24 | 110-6750 | 2 | Plate-Return |
| 3 | 110-6828 | 2 | Activator Arm ASM | 25 | 110-6752 | 2 | Spring-Compression |
| 3:2 | 105-3455 | 2 | Bushing | 26 | 110-6894 | 6 | Washer-Pivot |
| 4 | 106-2214 | 2 | Bolt-Shoulder | 27 | 323-4 | 2 | Screw-HH |
| 5 | 131-0964 | 2 | Damper | 28 | 110-6784 | 2 | Bolt-Shoulder |
| 6 | 3296-42 | 4 | Nut-Lock, NI | 29 | 37-8771 | 2 | Bolt-Shoulder |
| 7 | 46-8560 | 4 | Screw-HHFTF | 30 | 104-8300 | 4 | Nut-Flange, NI |
| 8 | 3296-48 | 2 | Nut-Lock, NI | 31 | 112-9771 | 2 | Washer-Teflon |
| 9 | 119-8952 | 2 | Washer | 32 | 130-0655 | 1 | Decal-Fill, Fuel |
| 10 | 32128-23 | 2 | Nut-HF | 33 | 117-1255-03 | 1 | Cover-Control, RH |
| 11 | 3256-5 | 2 | Washer-Flat | 34 | 1-603807 | 2 | Spring-Return, Neutral |
| 12 | 117-7422 | 2 | Rod-Control | 35 | 115-2561-03 | 1 | Cover-Control, LH |
| 13 | 117-7423 | 2 | Bracket-Control | 36 | 115-9625 | 1 | Decal-Brake, Parking |
| 14 | 1-808280 | 2 | Pin-Clevis | 37 | 99-8936 | 2 | Decal-Control, Motion |
| 15 | 1-806003 | 2 | Pin-Cotter | 38 | 127-3383 | 1 | Decal |
| 16 | 3256-23 | 2 | Washer-Flat | 39 | 3256-24 | 4 | Washer-Flat |
| 17 | 110-6782-05 | 1 | Arm-Actuator, RH | 40 | 323-6 | 4 | Screw-HH |
| 19 | 115-5023 | 2 | Tab-Stop | 41 | 121-0731 | 1 | Handle-Control, RH |
| 20 | 110-6873 | 2 | Eccentric | 41:1 | 121-0726 | 1 | Grip |
| 21 | 110-6874 | 2 | Screw-Eccentric | 42 | 121-0730 | 1 | Handle-Control, LH |
| 22 | 110-6875 | 2 | Bolt-Shoulder | 42:1 | 121-0726 | 1 | Grip |

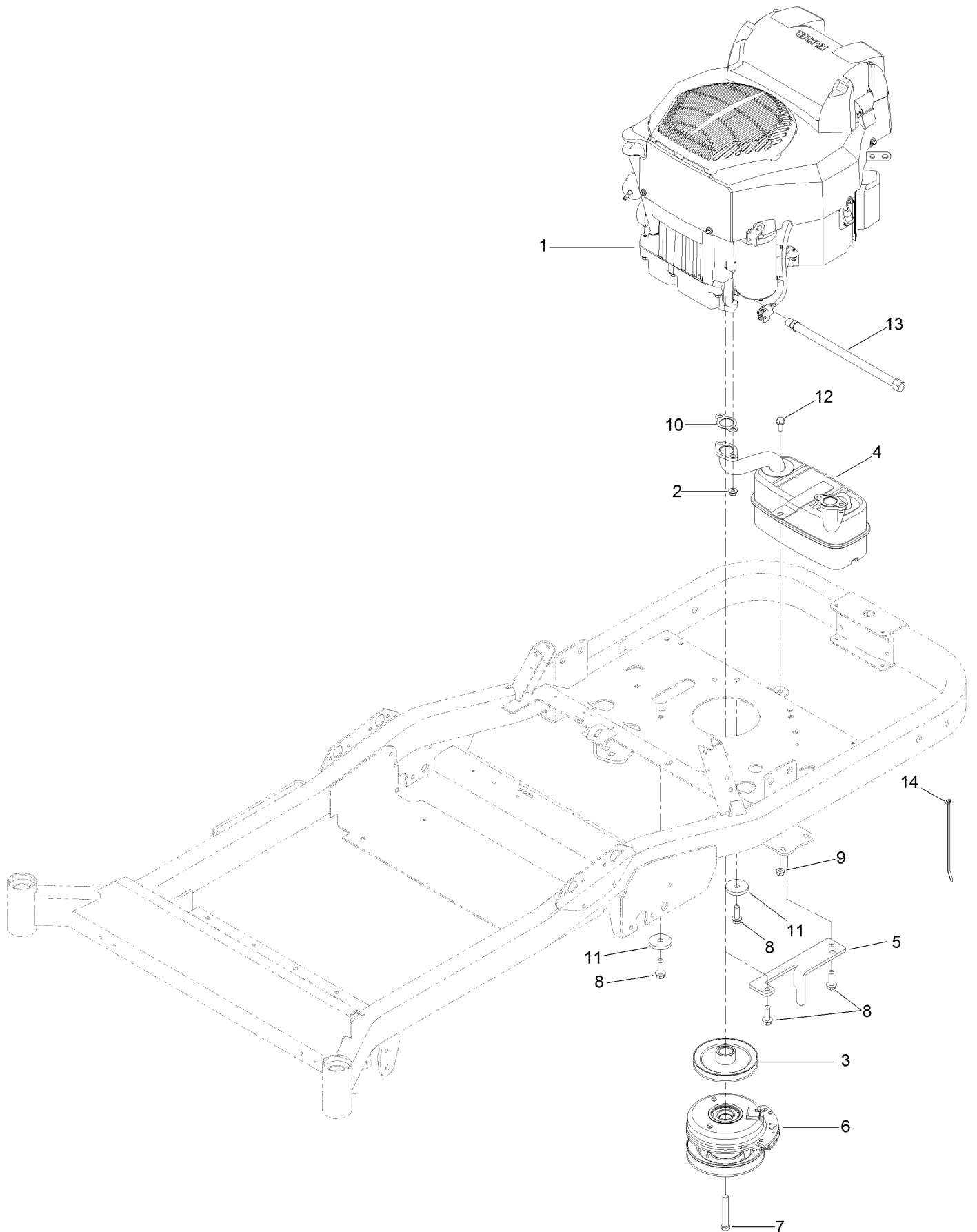
Brake Link Assembly



Brake Link Assembly (continued)

| <i>Ref.</i> | <i>Part Number</i> | <i>Qty.</i> | <i>Description</i> | <i>Ref.</i> | <i>Part Number</i> | <i>Qty.</i> | <i>Description</i> |
|-------------|--------------------|-------------|---------------------|-------------|--------------------|-------------|--------------------------|
| 1 | 131-4057 | 1 | Brake Handle ASM | 12 | 3256-23 | 6 | Washer-Flat |
| 2 | 63-2650 | 1 | Screw-Shoulder | 13 | 1-603807 | 2 | Spring-Return, Neutral |
| 3 | 131-4056-03 | 1 | Brake Bellcrank ASM | 14 | 3272-11 | 2 | Pin-Cotter |
| 4 | 115-5074 | 1 | Link-Brake | 15 | 3256-27 | 2 | Washer-Flat |
| 5 | 117-7322 | 1 | Rod-Brake, LH | 16 | 40-1940 | 2 | Washer |
| 6 | 117-7323 | 1 | Rod-Brake, RH | 17 | 32144-70 | 4 | Screw-HWHTF |
| 7 | 115-9681 | 2 | Fitting-Rod | 18 | 322-10 | 2 | Screw-HH |
| 8 | 1-633268 | 1 | Grip-Lever | 19 | 106-9758 | 2 | Screw-CARR |
| 9 | 104-8300 | 5 | Nut-Flange, NI | 20 | 127-3435-01 | 1 | Plate-Support, Floor Pan |
| 10 | 256-292 | 2 | Bushing-Flange, NI | 21 | 119-0718 | 2 | Spacer |
| 11 | 1-806003 | 8 | Pin-Cotter | | | | |

Engine, Muffler and Clutch Assembly



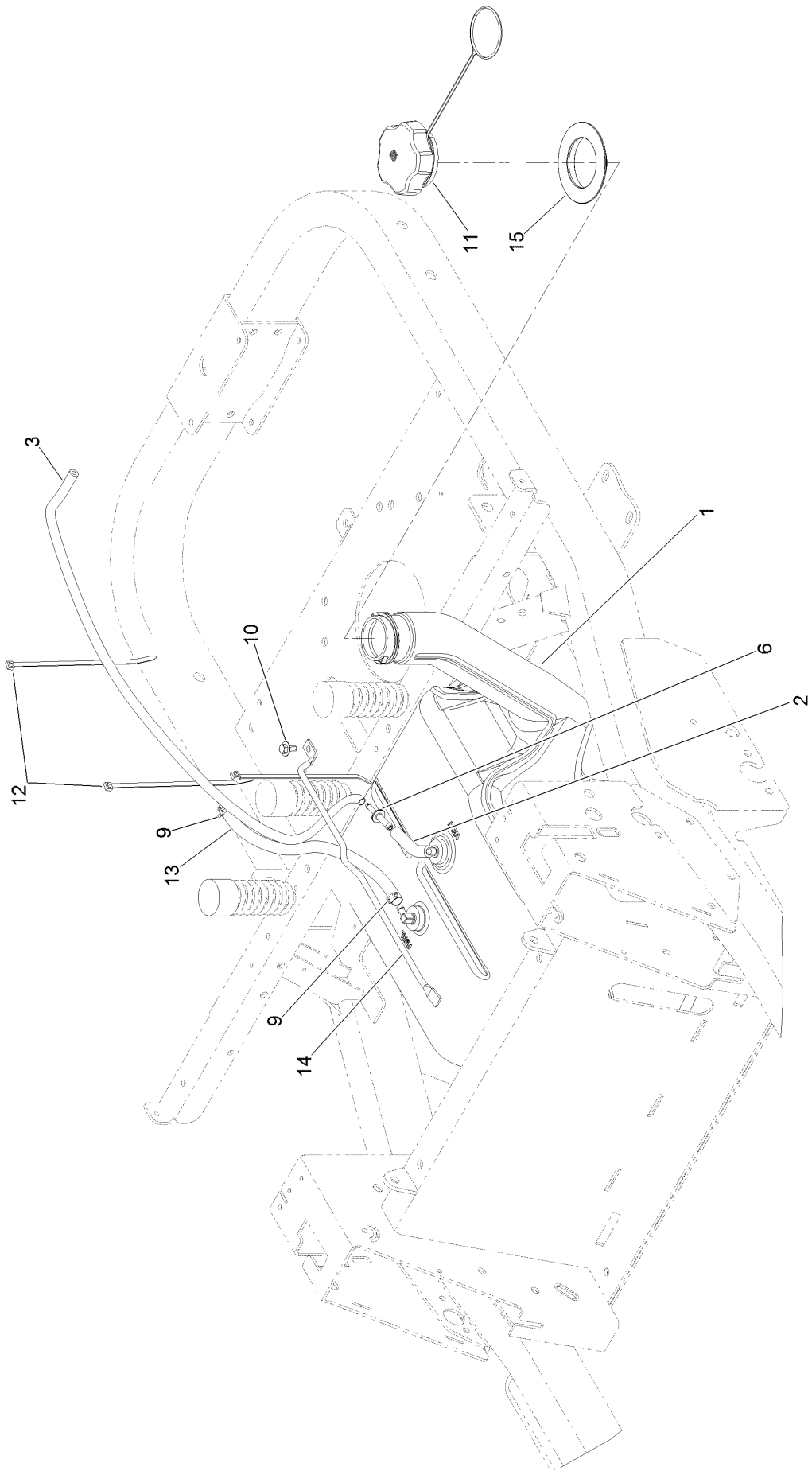
Engine, Muffler and Clutch Assembly (continued)

| <i>Ref.</i> | <i>Part Number</i> | <i>Qty.</i> | <i>Description</i> | <i>Ref.</i> | <i>Part Number</i> | <i>Qty.</i> | <i>Description</i> |
|-------------|--------------------|-------------|---------------------------------|-------------|--------------------|-------------|--------------------|
| 1 | | 1 | Engine-Kohler, Zt720-3018 ●■ | 8 | 32144-109 | 4 | Screw-Taptite |
| 2 | 131-8660 | 4 | Nut-Locking, Exhaust | 9 | 104-8300 | 1 | Nut-Flange, NI |
| 3 | 125-5576 | 1 | Pulley-Engine | 10 | 110-6697 | 2 | Gasket-Exhaust |
| 4 | 127-0084 | 1 | Muffler | 11 | 110-9981 | 2 | Washer-Plain |
| 5 | 117-1269-03 | 1 | Bracket-Stop, PTO | 12 | 3234-47 | 1 | Screw-HHF |
| 6 | 127-3410 | 1 | Clutch-PTO | 13 | 117-1261 | 1 | Hose-Drain, Oil |
| 7 | 3212-11 | 1 | Screw-HH | 14 | 614249 | 1 | Tie-Cable |

● Not serviced separately

■ Obtain parts from www.kohlerplus.com

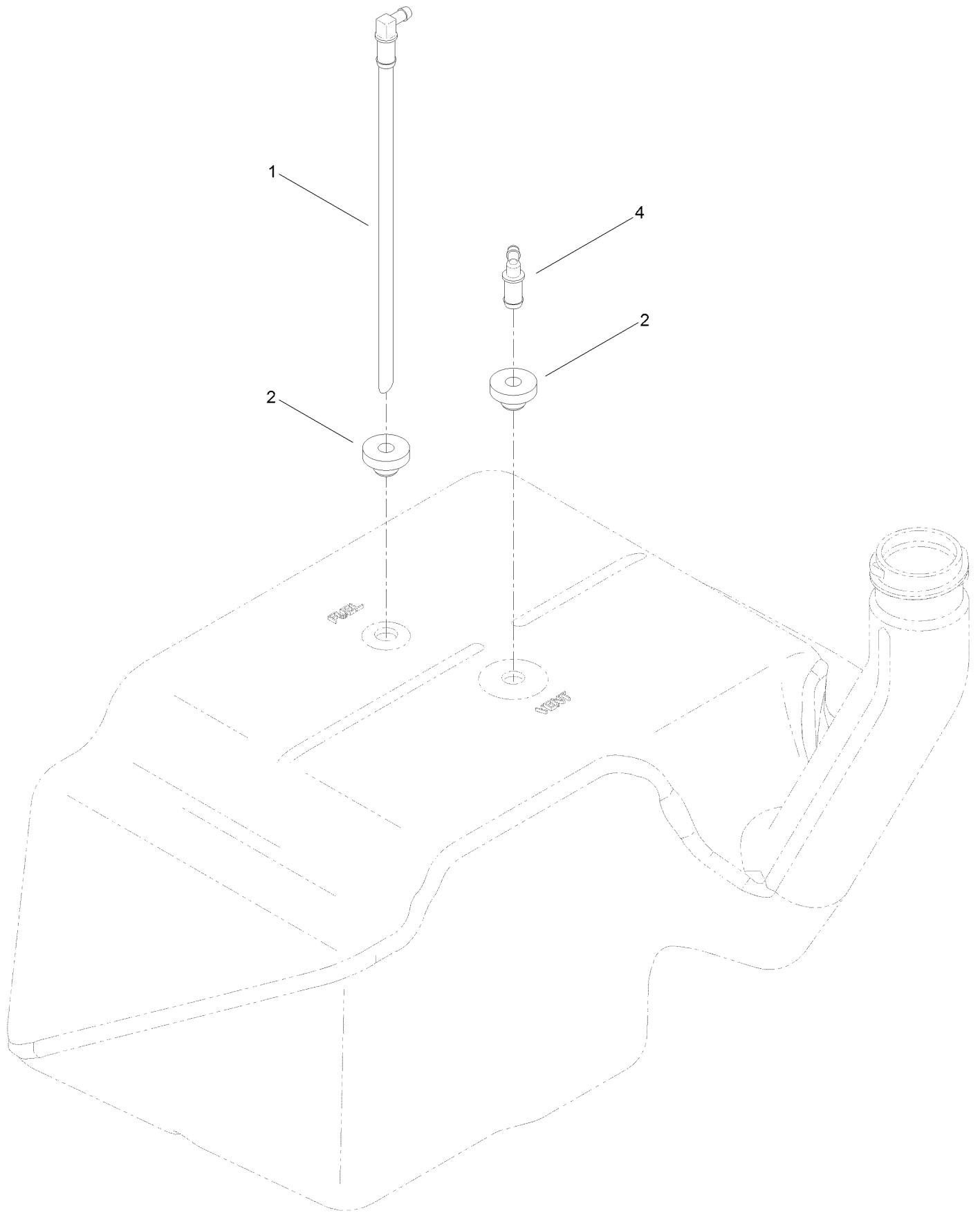
Fuel Delivery Assembly



Fuel Delivery Assembly (continued)

| <i>Ref.</i> | <i>Part Number</i> | <i>Qty.</i> | <i>Description</i> | <i>Ref.</i> | <i>Part Number</i> | <i>Qty.</i> | <i>Description</i> |
|-------------|--------------------|-------------|--------------------|-------------|--------------------|-------------|--------------------|
| 1 | 117-7352 | 1 | Fuel Tank ASM | 11 | 125-1847 | 1 | Cap-Fuel |
| 2 | 114-3765 | 1 | Hose-Fuel | 12 | 614249 | 3 | Tie-Cable |
| 3 | 131-8740 | 1 | Hose-Fuel | 13 | 109-0299 | 1 | Hose-Fuel |
| 6 | 121-0743 | 1 | Adapter-Orifice | 14 | 115-2620 | 1 | Rod-Tank, Gas |
| 9 | 2412-98 | 2 | Clamp-Hose | 15 | 117-1298 | 1 | Seal-Tank |
| 10 | 46-8560 | 1 | Screw-HHFTF | | | | |

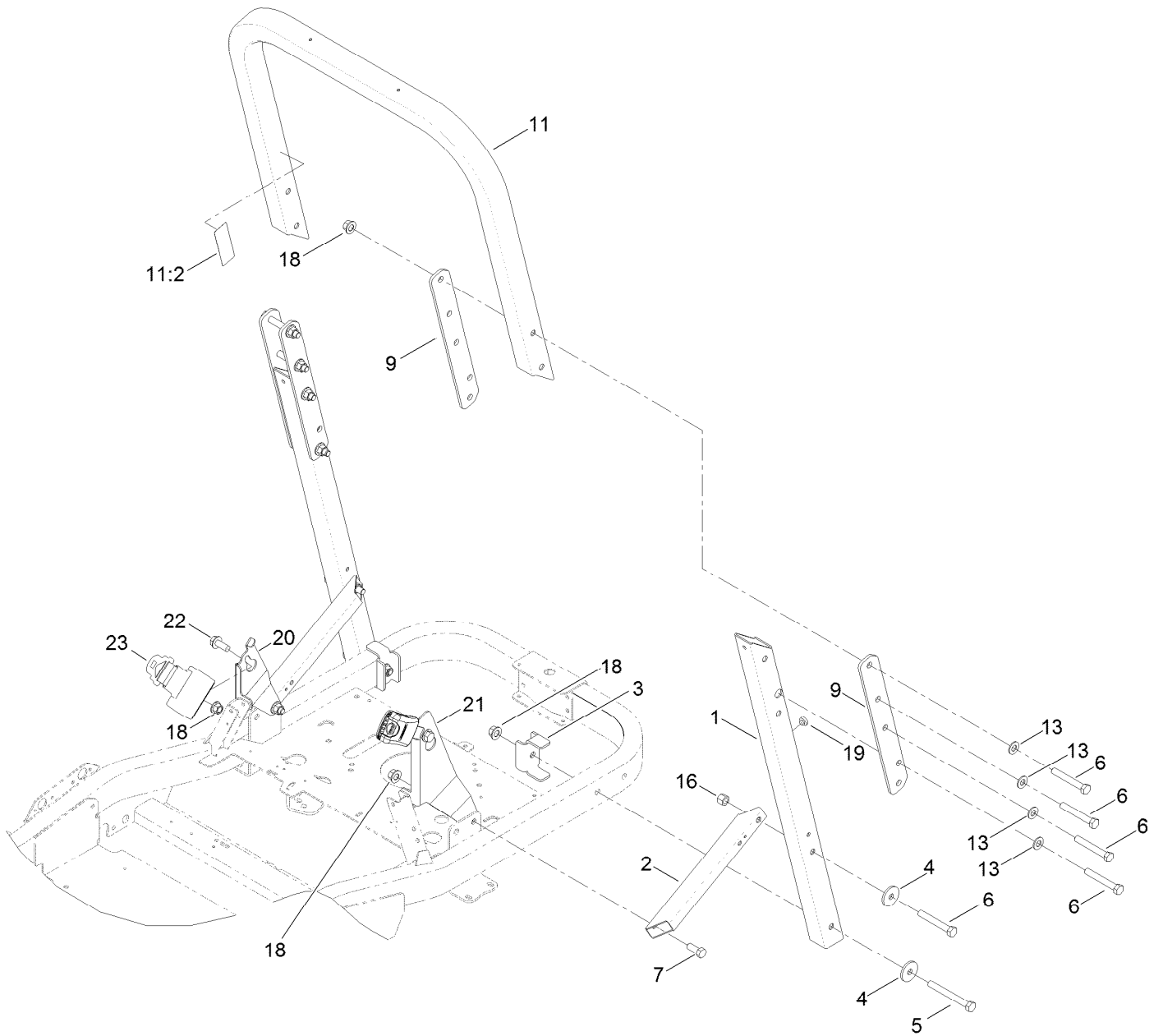
Multi Layer Fuel Tank Assembly No. 117-7352



Multi Layer Fuel Tank Assembly No. 117-7352 (continued)

| <i>Ref.</i> | <i>Part Number</i> | <i>Qty.</i> | <i>Description</i> |
|-------------|--------------------|-------------|-------------------------|
| 1 | 121-0793 | 1 | Connector-Elbow, 90 DEG |
| 2 | 46-6560 | 2 | Bushing |
| 4 | 117-7400 | 1 | Fitting-Plastic |

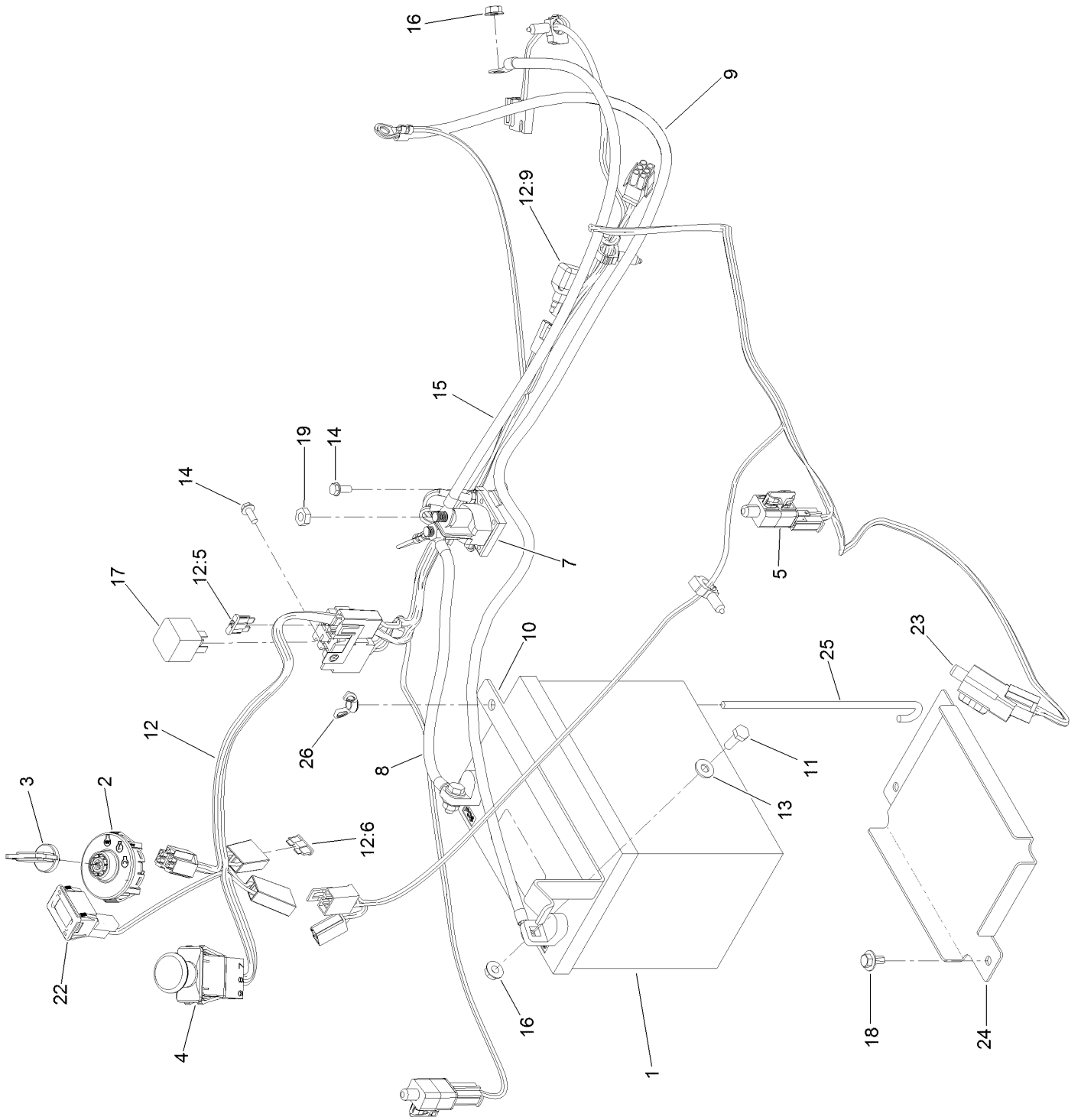
Roll-Over Protection System Assembly



Roll-Over Protection System Assembly (continued)

| <i>Ref.</i> | <i>Part Number</i> | <i>Qty.</i> | <i>Description</i> | <i>Ref.</i> | <i>Part Number</i> | <i>Qty.</i> | <i>Description</i> |
|-------------|--------------------|-------------|---------------------|-------------|--------------------|-------------|---------------------|
| 1 | 121-2986-03 | 2 | Tube-ROPS, Lower | 11:2 | 130-6927 | 1 | Decal-ROPS, Warning |
| 2 | 115-4962-03 | 2 | Tube-Support, ROPS | 13 | 3256-26 | 8 | Washer-Flat |
| 3 | 115-4963-03 | 2 | Bracket-Reinforcing | 16 | 119-8969 | 2 | Nut-Hex |
| 4 | 84-1560 | 4 | Washer-Thrust | 18 | 99-5107 | 12 | Nut-Lock |
| 5 | 325-18 | 2 | Screw-HH | 19 | 1-513658 | 2 | Bumper |
| 6 | 325-14 | 10 | Screw-HH | 20 | 115-5038-03 | 1 | Bracket-Belt, Seat |
| 7 | 325-5 | 2 | Screw-HH | 21 | 115-5060-03 | 1 | Bracket-Belt, Seat |
| 9 | 127-3326-03 | 4 | Plate-ROPS | 22 | 3234-38 | 2 | Screw-HHF |
| 11 | 130-6929 | 1 | Upper ROPS ASM | 23 | 109-9805 | 1 | Seat Belt Kit |

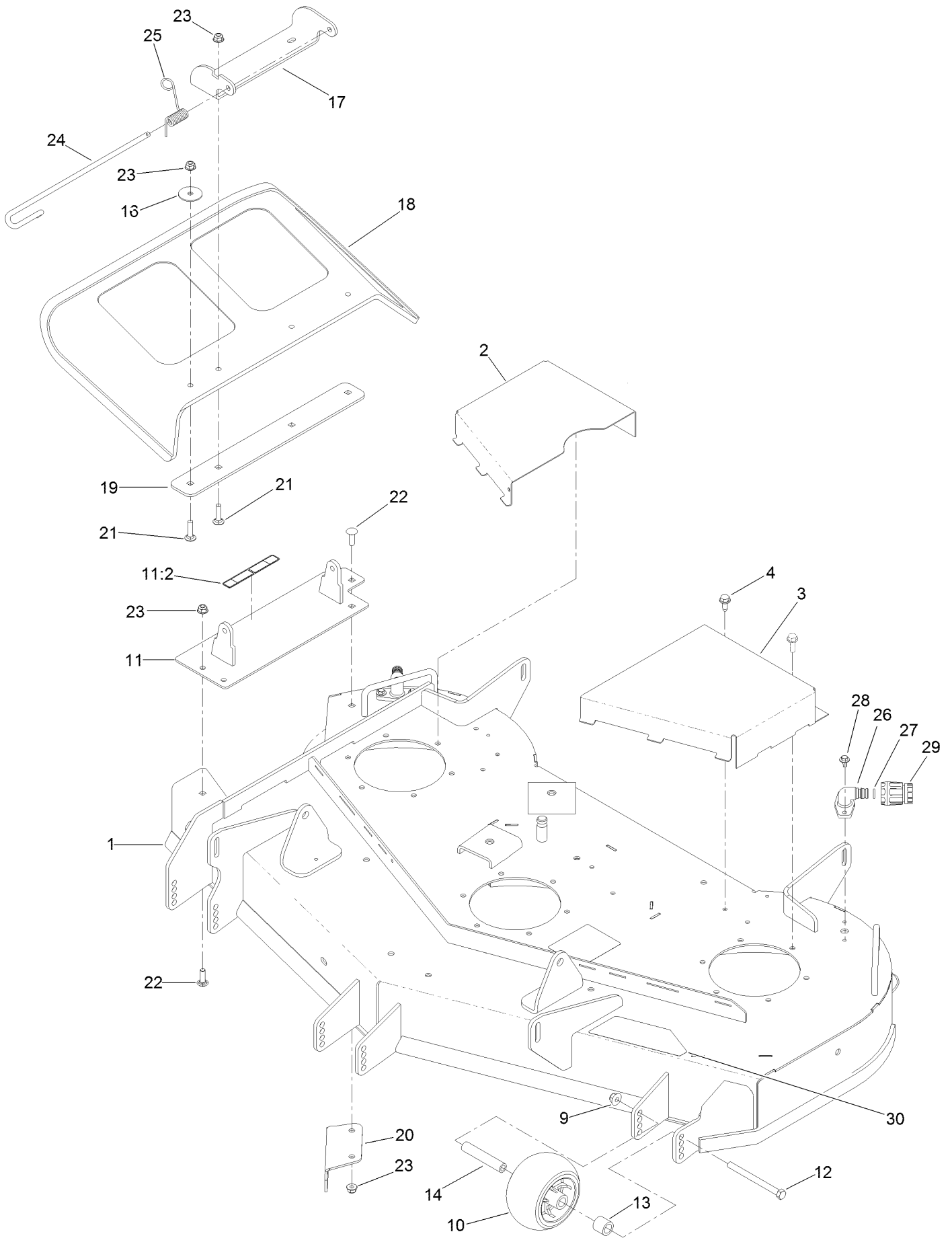
Electrical Assembly



Electrical Assembly (continued)

| <i>Ref.</i> | <i>Part Number</i> | <i>Qty.</i> | <i>Description</i> | <i>Ref.</i> | <i>Part Number</i> | <i>Qty.</i> | <i>Description</i> |
|-------------|--------------------|-------------|-------------------------|-------------|--------------------|-------------|--------------------|
| 1 | 105-1692 | 1 | Battery-Dry | 12:9 | 100-4918 | 1 | Diode-Over Molded |
| 2 | 117-2221 | 1 | Switch-Ignition | 13 | 3256-22 | 2 | Washer-Flat |
| 3 | 63-8360 | 1 | Key-Ignition | 14 | 32144-1 | 3 | Screw-Taptite |
| 4 | 103-5221 | 1 | Switch-PTO | 15 | 92-6989 | 1 | Wire-21 Inch |
| 5 | 110-6765 | 2 | Switch | 16 | 32128-33 | 3 | Nut-HF |
| 7 | 117-1197 | 1 | Solenoid | 17 | 98-7249 | 1 | Relay |
| 8 | 117-5342 | 1 | Cable-Battery, Positive | 18 | 46-8560 | 2 | Screw-HHFTF |
| 9 | 117-7240 | 1 | Cable-Battery, Negative | 19 | 3220-2 | 2 | Nut-Jam |
| 10 | 117-7313-01 | 1 | Strap-Battery | 22 | 120-2244 | 1 | Hourmeter |
| 11 | 321-4 | 2 | Screw-HH | 23 | 99-7408 | 1 | Switch-Reverse |
| 12 | 130-0651 | 1 | Harness-Wire | 24 | 117-1283-03 | 1 | Tray-Battery |
| 12:5 | 109103 | 1 | Fuse-Blade, 30 Amp | 25 | 1-633651 | 1 | Bolt-Holddown |
| 12:6 | 109102 | 1 | Fuse-Blade, 25 Amp | 26 | 1-543792 | 1 | Wingnut |

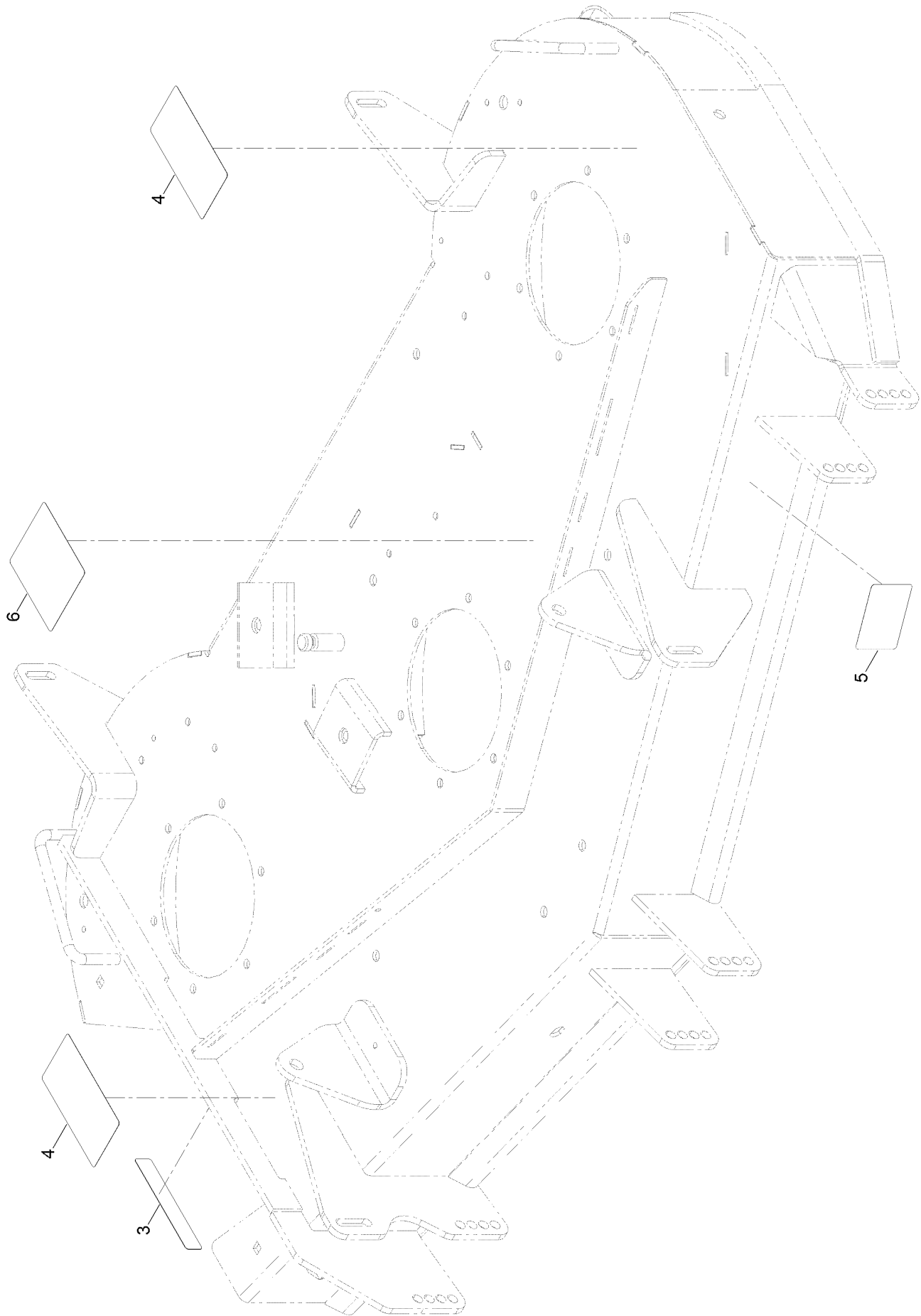
48 Inch Deck Assembly



48 Inch Deck Assembly (continued)

| <i>Ref.</i> | <i>Part Number</i> | <i>Qty.</i> | <i>Description</i> | <i>Ref.</i> | <i>Part Number</i> | <i>Qty.</i> | <i>Description</i> |
|-------------|--------------------|-------------|--------------------------|-------------|--------------------|-------------|--------------------|
| 1 | 131-4142 | 1 | 48 Inch Deck ASM | 18 | 117-1270 | 1 | Deflector |
| 2 | 117-7396-05 | 1 | Cover-Belt | 19 | 115-5048-03 | 1 | Plate-Deflector |
| 3 | 117-7397-05 | 1 | Cover-Belt | 20 | 117-7418-03 | 1 | Baffle-Cutoff |
| 4 | 32144-70 | 2 | Screw-HWHTF | 21 | 3230-3 | 4 | Screw-CARR |
| 9 | 104-8301 | 3 | Nut-Flange, NI | 22 | 3230-22 | 4 | Screw-CARR |
| 10 | 1-603299 | 3 | Roller-Scalp, Anti | 23 | 104-8300 | 8 | Nut-Flange, NI |
| 11 | 130-0762 | 1 | Pivot-Deflector | 24 | 109-8854 | 1 | Pin-Chute |
| 11:2 | 130-0731 | 1 | Decal-Danger | 25 | 121-2983 | 1 | Spring-Torsion |
| 12 | 323-23 | 3 | Screw-HH | 26 | 95-2747 | 2 | Fitting-Washout |
| 13 | 104-0892 | 3 | Spacer-Axle, Rear | 27 | 46-6290 | 2 | O-Ring |
| 14 | 98-7912 | 3 | Tube-Spanner | 28 | 46-8560 | 4 | Screw-HHFTF |
| 16 | 3256-68 | 2 | Washer-Flat | 29 | 95-3270 | 1 | Connector-Hose |
| 17 | 114-1648-05 | 1 | Bracket-Deflector, Upper | 30 | 119-3382 | 1 | Decal-Deck |

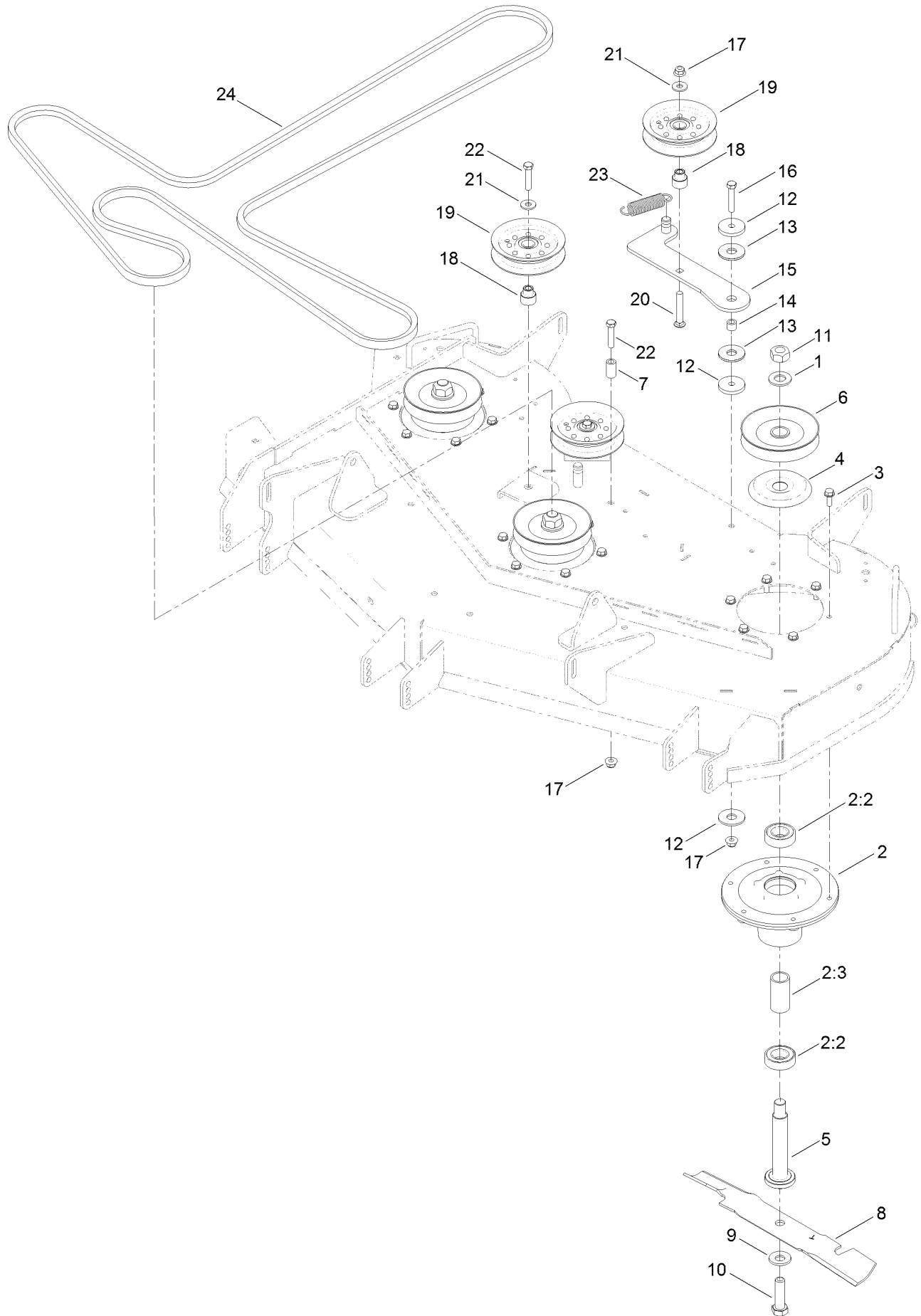
48 Inch Deck and Decal Assembly No. 131-4142



48 Inch Deck and Decal Assembly No. 131-4142 (continued)

| <i>Ref.</i> | <i>Part Number</i> | <i>Qty.</i> | <i>Description</i> | <i>Ref.</i> | <i>Part Number</i> | <i>Qty.</i> | <i>Description</i> |
|-------------|--------------------|-------------|--------------------|-------------|--------------------|-------------|---------------------|
| 3 | 130-0731 | 1 | Decal-Danger | 5 | 130-0765 | 1 | Decal-Scalp, Anti |
| 4 | 132-0873 | 2 | Decal-Danger, Deck | 6 | 117-1194 | 1 | Decal-Routing, Belt |

48 Inch Deck, Belt and Mulch Blade Assembly



48 Inch Deck, Belt and Mulch Blade Assembly (continued)

| <i>Ref.</i> | <i>Part Number</i> | <i>Qty.</i> | <i>Description</i> | <i>Ref.</i> | <i>Part Number</i> | <i>Qty.</i> | <i>Description</i> |
|-------------|--------------------|-------------|--------------------------|-------------|--------------------|-------------|----------------------------|
| 1 | 7-4150 | 3 | Washer | 12 | 110-9981 | 3 | Washer-Plain |
| 2 | 120-5477 | 3 | Spindle ASM | 13 | 114-0463 | 2 | Washer-Friction, Composite |
| 2:2 | 116-0720 | 2 | Bearing-Ball | 14 | 1-413088 | 1 | Bushing-Lever, Lift |
| 2:3 | 115-2641 | 1 | Spacer-Bearing | 15 | 115-5054 | 1 | Arm-Idler |
| 3 | 32144-41 | 18 | Screw-Taptite | 16 | 323-10 | 1 | Screw-HH |
| 4 | 117-7210 | 3 | Shield-Bearing | 17 | 104-8301 | 3 | Nut-Flange, NI |
| 5 | 115-2642 | 3 | Shaft-Spindle | 18 | 115-2577 | 3 | Bushing-Idler |
| 6 | 117-7326 | 3 | Pulley | 19 | 116-3626 | 3 | Pulley-Idler |
| 7 | 1-603401 | 1 | Spacer-Fender | 20 | 3231-31 | 1 | Screw-CARR |
| 8 | 117-7277-03 | 3 | Blade-Hi Flo, 16.50 Inch | 21 | 80-6990 | 3 | Washer-Hardened |
| 9 | 125-1736 | 3 | Washer-Belleville | 22 | 323-9 | 3 | Screw-HH |
| 10 | 51-4060 | 3 | Screw-Blade | 23 | 108-4056 | 1 | Spring-Extension |
| 11 | 3219-7 | 3 | Nut-Hex | 24 | 117-7325 | 1 | V-Belt |

Attachments and Accessories

For 74861 TITAN ZX4800 Zero-Turn-Radius Riding Mower

| Product Name | Model/Part |
|--|-------------------|
| Light Kit..... | 117-5317 |
| Transport Seat Hold Down Kit..... | 117-7251 |
| 48in Recycler Kit..... | 119-3320 |
| 48in Striping Kit..... | 119-3380 |
| Leaf Bagging Enhancement Kit | 119-3381 |
| 48in Bagger Finishing Kit (Used with 79328 Bagger) | 121-5662 |
| MVP Filter | 127-1628 |
| Seat Kit..... | 130-0788 |
| ROPS Conversion Kit | 130-6850 |
| Spark Arrester Kit | 131-4160 |
| Deck Lift Assist Kit | 132-6850 |
| Cargo Carrier | 79032 |
| Front Weight Kit..... | 79033 |
| Bagger Kit..... | 79328 |
| E-Z Vac Twin Bagger | 79330 |
| 48in Blower and Drive Kit..... | 79340 |

Notes:

Notes:

Notes:



Count on it.