

42" Snowthrower

MODEL NO. 79365
MODEL NO. 715706006

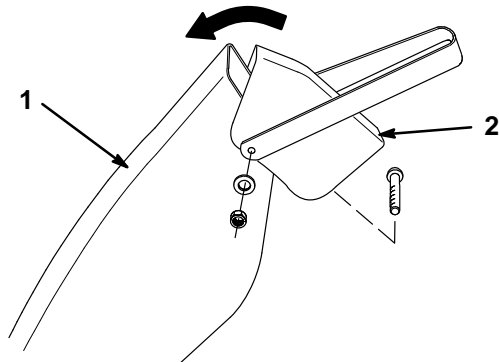
DEALER REWORK INSTRUCTIONS

This document contains additional assembly procedures that must be performed on the snowthrower. First, the snow deflector on the upper section of the discharge chute must be mounted in the correct throwing position, and then the snowthrower drive pulley must be installed.

Mounting the Snow Deflector

1. Remove the carriage bolts, nuts, and washers securing the snow deflector (Fig. 1).
2. Swing the snow deflector back, over the lip of the upper section of the discharge chute (Fig. 1).
3. Secure the snow deflector with the carriage bolts (heads to the inside), nuts, and washers removed previously (Fig. 1).

IMPORTANT: Tighten nuts only enough to provide friction between the chute and the snow deflector. The snow deflector must pivot for adjustment.



m-3754

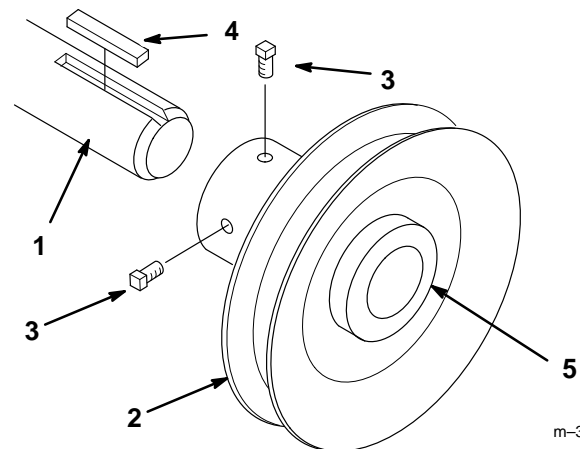
Figure 1

1. Upper Section of Discharge Chute
2. Snow Deflector

Installing the Drive Pulley

1. Install the drive pulley onto the drive shaft so the end of the pulley hub is flush with end of shaft (Fig. 2).
2. Secure it with a square key and (2) square head set screws. Torque to between 195 to 235 in-lbs (22 to 26.5 Nm).

IMPORTANT: Key must be located under set screw to be retained.



m-3755

Figure 2

1. Drive Shaft
2. Drive Pulley
3. Set Screw
4. Key
5. Pulley Hub (shaft must be flush with the end of the hub)