



**Wheelhorse L & GT**  
**48" Rotary Cutting Unit**

**Model No. 78261 – 8900001 & Up**

---

**Parts Catalog**

## ORDERING REPLACEMENT PARTS

To order replacement parts, please supply: the part number, the quantity, and the description of each part desired.

## Contents

Description	Page	Description	Page
Deck Assembly .....	1	Decals .....	4
Spindles & Covers .....	2	<b>Note:</b>	
Discharge Chute & Gage Wheels .....	3		

## Part Description Abbreviations

Part descriptions in this catalog may include the following abbreviations.

Abbreviation	Meaning	Abbreviation	Meaning
AR .....	as required	HWHTF .....	hex washer head
ASM .....	assembly		thread forming
CARR .....	carriage	INC .....	incorporated
DEG .....	degrees	LH .....	left hand
FH .....	flat head	PH .....	pan head
GA .....	gauge	PPH .....	Phillips pan head
HF .....	hex flange	PTO .....	power take off
HFV .....	hex flange washer	RH .....	right hand
HH .....	hex head	SFH .....	slotted fillister head
HHF .....	hex head flange	SH .....	square head
HHST .....	hex head self tapping	SHWH .....	slotted hex washer head
HJ .....	hex jam	SPH .....	slotted pan head
HOC .....	height-of-cut	STD .....	standard
HS .....	hex socket	TAP .....	self tapping
HSBH .....	hex socket button head	TH .....	truss head
HSFH .....	hex socket flat head	TTH .....	Torx truss head
HSH .....	hex socket head	WH .....	wing head
HWH .....	hex washer head		

## Important Format Explanations

This catalog uses special formats to convey information in illustrations and parts lists. Specifically, one format is used in conjunction with service assemblies and another with quantities associated with reference numbers.

### Service Assemblies

Parts within service assemblies have reference numbers in the form X:Y. X is the reference number of the service assembly and Y is a sequential number unique to each part within the service assembly.

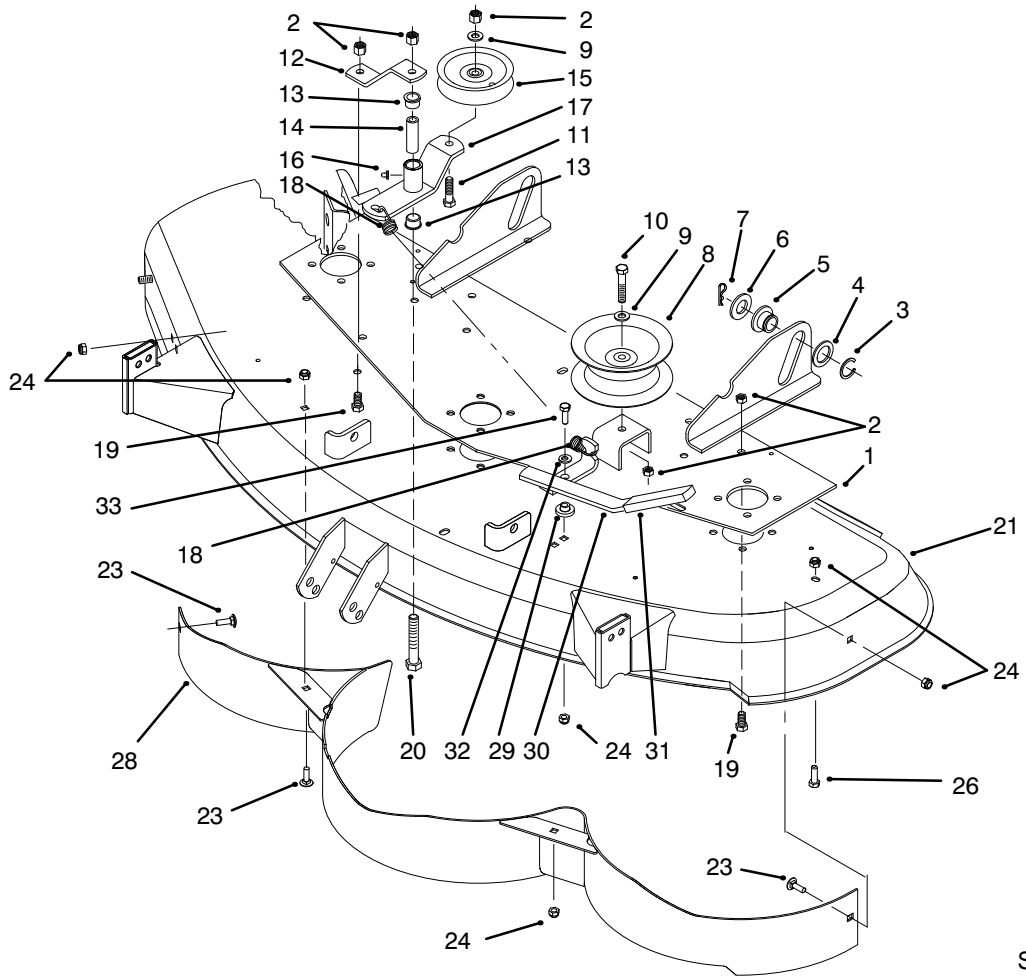
For example, a wheel assembly might be identified by reference number 6, the tire by 6:1, the valve by 6:2, and the wheel by 6:3. When you order the assembly identified by reference number 6, you receive all parts identified by reference numbers 6:1, 6:2, and 6:3. However, you may also order any part individually.

Reference numbers of this type appear in part lists and as callouts in illustrations.

### Reference Numbers with Quantities

Illustrations may have a quantity in parentheses next to a reference number, in the form X (Y). X is the reference number. Y in parentheses is the quantity of the part identified by the reference number.

For example, the illustration callout 4 (2) indicates that two parts are used in that instance.



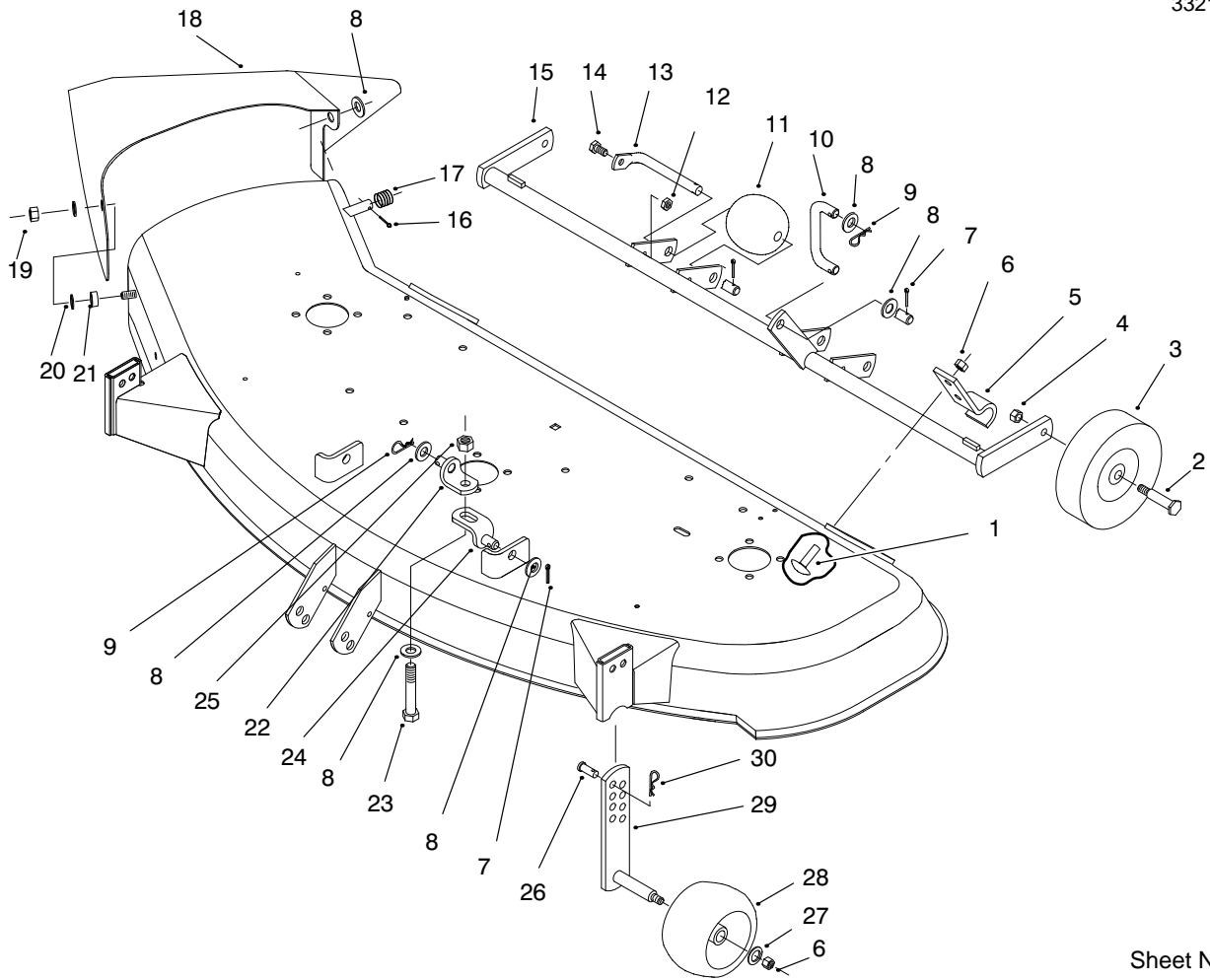
Sheet No.: 2

## Deck Assembly

Ref. No.	Part No.	Qty.	Description
1	94-9756-01	1	Deck Support Asm
2	3296-39	8	Nut-Lock
3	32151-29	2	Ring-Retaining
4	9202394	2	Washer
5	78-7340	2	Roller-Lift
6	3256-28	2	Washer-Flat
7	9335074	2	Cotter-Hairpin
8	92-7082	1	Pulley-Idler
9	3256-24	2	Washer-Flat
10	323-11	1	Screw
11	323-9	1	Screw-HH
12	78-3140-03	1	Strap-Brace
13	109859	2	Bushing
14	79-2760	1	Spacer-Pivot
15	92-7084	1	Pulley-Idler
16	302-26	1	Fitting-Grease
17	78-3150-03	1	Arm
18	116172	1	Spring-Extension
19	323-6	5	Screw-HH
20	323-14	1	Screw-HH
21	94-9770	1	Deck / Decal Asm
22	94-9708	1	Baffle-Discharge
23	3230-18	3	Bolt-CARR
24	3296-29	6	Nut-Lock
26	322-5	2	Screw-HH
28	94-9710-03	1	Baffle-Front

Ref. No.	Part No.	Qty.	Description
29	88-5010	1	Spacer
30	94-9738	1	Lever Asm
31	103712	1	Grip
32	3256-23	1	Washer-Flat
33	322-6	1	Screw-HH





Sheet No.: 4

## Discharge Chute & Gage Wheels

Ref. No.	Part No.	Qty.	Description
1	3231-25	4	Screw-CARR
2	5188	2	Screw-HSH
3	110506	2	Wheel-Gage
4	32146-2	2	Nut-Lock
5	110837-03	2	Bracket-Pivot
6	3296-39	6	Nut-Lock
7	3272-21	6	Pin-Cotter
8	3256-26	9	Washer-Flat
9	9335064	3	Hairpin
10	79-5380	1	Link-Rear
11	29-4820	3	Roller
12	3296-42	3	Nut-Lock
13	118960	3	Shaft-Roller
14	321-4	3	Screw-HH
15	79-4140-03	1	Support
16	3272-10	1	Pin-Cotter
17	93-1630	1	Spring-Deflector
18	88-2750-01	1	Chute / Decal Asm
19	9152366	1	Nut-Jam Lock
20	93-1633	2	Washer-Nylon
21	116080	1	Bushing-Pvt
22	86-9250	2	Bracket
23	325-13	2	Screw-HH
24	86-9240	2	Bracket
25	3218-5	2	Nut-Jam
26	283-2	2	Pin-Clevis

Ref. No.	Part No.	Qty.	Description
27	3256-24	2	Washer-Flat
28	68-2730	2	Wheel-Gage
29	68-2350	2	Plate-Gage Wheel
30	9335054	2	Hairpin



# Toro Part Number Index

Part No.	Page No.	Ref. No.	Qty.	Description
5188	3	2	2	Screw-HSH
103712	1	31	1	Grip
106067	2	6	3	Cup-Spindle
106068	2	7	3	Spacer
106637	2	3	3	Kit-Blade, Set of 3
109859	1	13	2	Bushing-Flg
109966	2	9	6	Bearing-Ball
110506	3	3	2	Wheel-Gage
114568	2	11	3	Housing-Spindle
116080	3	21	1	Bushing
116085	2	10	3	Tube
116172	1	18	1	Spring-Extension
116286	4	6	1	Decal-Belt
118960	3	13	3	Shaft-Roller
9080326	2	12	12	Screw-HH
9152366	3	19	1	Nut-Jam Lock
9202394	1	4	2	Washer
9202574	2	4	3	Washer
9335054	3	30	2	Hairpin
9335064	3	9	3	Hairpin
9335074	1	7	2	Cotter-Hairpin
29-4820	3	11	3	Roller
68-2350	3	29	2	Plate-Gage Wheel
68-2730	3	28	2	Wheel-Gage
68-3380	4	8	2	Decal-Wheel Adjustment
78-3140-03	1	12	1	Strap-Brace
78-3150-03	1	17	1	Arm
78-6710	2	5	3	Shaft-Spindle
78-7340	1	5	2	Roller-Lift
79-2760	1	14	1	Spacer-Pivot
79-4140-03	3	15	1	Support
79-5380	3	10	1	Link-Rear
86-9210	2	26	1	Cover-Belt
86-9220	2	25	1	Cover-Belt
86-9240	3	24	2	Bracket
86-9250	3	22	2	Bracket
88-2750-01	3	18	1	Chute / Decal Asm
88-5010	1	29	1	Spacer
92-6958	2	15	1	V-Belt
92-7082	1	8	1	Pulley-Idler
92-7083	2	14	3	Pulley
92-7084	1	15	1	Pulley-Idler
92-7108	4	2	2	Decal-Danger
93-1122	4	4	1	Decal-Danger
93-1630	3	17	1	Spring-Deflector
93-1633	3	20	2	Washer-Nylon
94-9710	1	28	1	Baffle Asm-Front
94-9738	1	30	1	Lever Asm
94-9756-01	1	1	1	Deck Support Asm
94-9761	3	31	1	Decal-Deck
94-9770	1	21	1	Deck / Decal Asm
110837-03	3	5	2	Bracket-Pivot
283-2	3	26	2	Pin-Clevis
302-5	2	18	3	Fitting-Grease
302-26	1	16	1	Fitting-Grease
321-4	3	14	3	Screw-HH
322-5	1	26	2	Screw-HH
322-6	1	33	1	Screw-HH
323-6	1	19	5	Screw-HH
323-9	1	11	1	Screw-HH
323-11	1	10	1	Screw
323-14	1	20	1	Screw-HH

\*Not Illustrated

# Toro Part Number Index (cont.)

<b>Part No.</b>	<b>Page No.</b>	<b>Ref. No.</b>	<b>Qty.</b>	<b>Description</b>
325-13	3	23	2	Screw-HH
3218-5	3	25	2	Nut-Jam
3220-6	2	17	3	Nut-Jam
3220-7	2	1	3	Nut-Jam
3230-18	1	23	3	Bolt-CARR
3231-25	3	1	4	Screw-CARR
3253-8	2	16	3	Washer-Lock
3256-22	2	24	6	Washer-Flat
3256-23	1	32	1	Washer-Flat
3256-24	1	9	2	Washer-Flat
3256-24	3	27	2	Washer-Flat
3256-26	3	8	9	Washer-Flat
3256-28	1	6	2	Washer-Flat
3256-28	2	2	3	Washer-Flat
3272-10	3	16	1	Pin-Cotter
3272-21	3	7	6	Pin-Cotter
3296-29	1	24	6	Nut-Lock
3296-39	1	2	8	Nut-Lock
3296-39	3	6	6	Nut-Lock
3296-42	3	12	3	Nut-Lock
32120-42	2	8	3	Ring-Int Ret
32144-4	2	23	6	Screw-TAP
32146-2	3	4	2	Nut-Lock
32151-29	1	3	2	Ring-Retaining