

TORO®

250/260 & 254/264 SERIES VALVES



Heavy duty. Hardworking. The Toro® 250/260 and 254/264 Series globe-style valves are made to withstand all that a large residential or light commercial application can dish out. The durable and dependable, glass-filled Zytel®* bonnet and body construction allows these valves to be rated up to 150 psi, and are available in various inlet/outlet configurations meant to meet contractors' unique preferences. The 1" inlet/outlet 250/260 Series valves feature female inlets with female or barbed outlets available in electric, hydraulic or pin-type styles, while the 254/264 Series valves are electric valves with male inlets and male or barbed outlets available in 3/4" or 1" sizes.

FEATURES & BENEFITS

Heavy-Duty Toro Solenoid

Provides dependable operation and long life.

Optional Flow Control

Allows the ability to adjust the flow of each zone.

Comprehensive Inlet and Outlet Choices

Flexibility for new installations and retrofit projects.

Single-Piece Rubber Diaphragm

For reliable, leak-tight closing.

Tough, Glass-Filled Zytel Bonnet And Body

Durable construction that provides years of reliable operation.

*Zytel is a registered trademark of E. I. du Pont de Nemours and Company

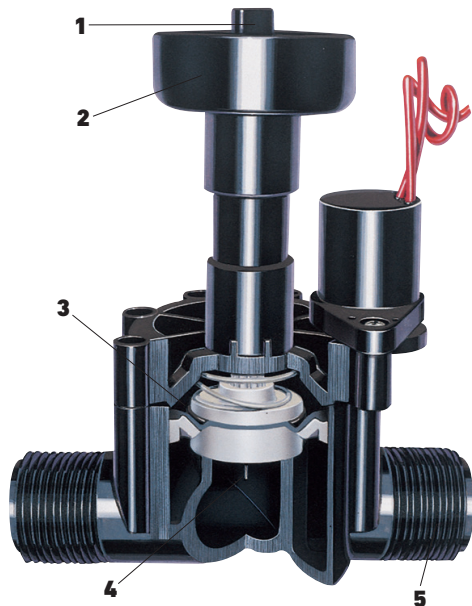
Additional Features

- ✓ Manual flow control adjustable to zero flow
- ✓ Self-cleaning, stainless steel metering pin
- ✓ External manual bleed
- ✓ 18" lead wires (electric)
- ✓ Low in-rush solenoid



**Effluent
Options
Available**

254 MALE X MALE VALVE



- 1. Manual bleed screw
- 2. Optional flow control
- 3. Single-piece rubber diaphragm
- 4. Stainless-steel metering pin
- 5. Tough, glass-filled cap and body

254/264 SERIES FRICTION LOSS DATA

Size	Model	gpm Flow												
		.5	1	2	5	10	15	20	25	30	35	40	45	
3/4"	Electric	<1.0	<1.0	<1.0	1.5	3.0	6.5							
1"	Electric				2.0	2.0	2.3	3.1	4.0	5.4	7.0	8.7	10.5	

Note: For optimum sprinkler performance when designing a system, calculate total friction loss to ensure sufficient downstream pressure. Flow rates are recommended not to exceed 5 psi loss. Values are listed in psi.

250/260 SERIES FRICTION LOSS DATA

Size	Model	gpm Flow						
		0.5	10	15	20	25	30	40
1"	Hydraulic	<1.0	1.0	2.0	3.0	4.0	6.0	9.5
1"	Electric		4.4	4.5	5.0	5.0	7.0	9.5

Specifying Information—250/260 Series Valves

2X0-0X-04		
Flow Control	Activation Type	Size
2X0	0X	04
5—with Flow Control 6—without Flow Control	0—Pin-type Hydraulic 1—Normally Open Hydraulic 6—Electric	04—1"
Example: A 1" 250 Series Valve with flow control and electric activation would be specified as: 250-06-04		

Note: DC Latching Solenoid not available.

SPECIFICATIONS

Operational

- Recommended flow range:
 - 3/4": 0.25 to 15.0 gpm
 - 1": 5.0 to 30.0 gpm
- Operating Pressure
 - 3/4": 10 to 150 psi
 - 1": 20 to 150 psi
- Solenoid: 24 VAC
 - 3/4": Inrush: 0.25 amps, 6.00 VA; Holding: 0.19 amps, 4.56 VA
 - 1": Inrush: 0.30 amps, 7.20 VA; Holding: 0.20 amps, 4.80 VA

Options Available

- Effluent Water Valve Flow Control Knob (89-7855)

Dimensions

- 3/4": 3" H x 4" W
- 1" 250 & 254 (with flow control): 6" H x 4 1/2" W
- 1" 260 & 264 (without flow control): 4 1/2" H x 4 1/2" W

Warranty

- Two years

250/260 SERIES MODEL LIST

Model	Description
FEMALE THREADS	
250-06-04	1" Female NPT, In-line, with Flow Control
260-06-04	1" Female NPT, In-line, without Flow Control
250-00-04	1" Female NPT, In-line, Pin-type Hydraulic, with Flow Control
250-01-04	1" Female NPT, In-line, Normally Open Hydraulic, with Flow Control
MALE THREADS	
264-06-03	3/4" Male Thread x Male Thread, In-Line, without Flow Control
254-06-04	1" Male Thread x Male Thread, In-Line, with Flow Control
264-06-04	1" Male Thread x Male Thread, In-Line, without Flow Control
254-16-04	1" Male Thread x Barbed Insert, In-Line, with Flow Control
264-16-04	1" Male Thread x Barbed Insert, In-Line, without Flow Control

Specifying Information—254/264 Series Valve

2X4-X6-0X		
Flow Control	Body Style	Size
2X4	X6	0X
5—with Flow Control 6—without Flow Control	0—Male Thread x Male Thread 1—Male Thread x Barbed Insert	3—3/4" 4—1"
Example: A 1" electric 264 Series Valve without flow control with a barb would be specified as: 264-16-04		

Note: DC Latching Solenoid not available.



www.toro.com

The Toro Company • Irrigation Division • 5825 Jasmine St. Riverside, CA • 92504 • 877-345-8676

Specifications subject to change without notice. For more information, contact your local Toro distributor. ©2015 The Toro Company. All rights reserved.

P/N 15-1104-IRC